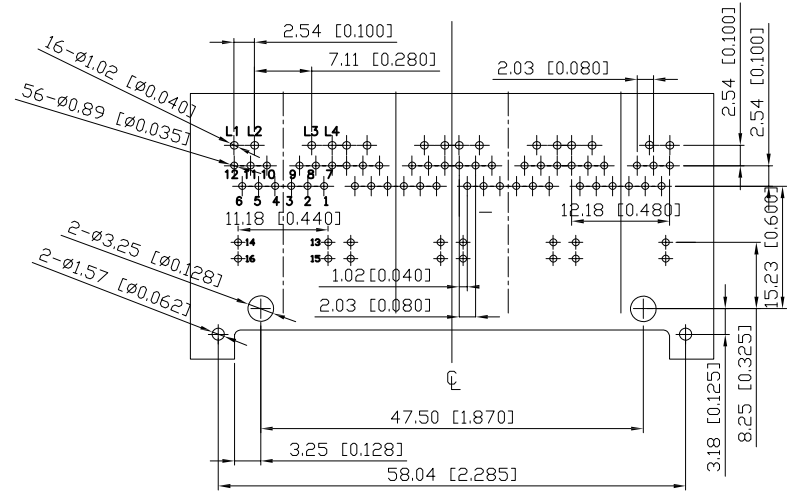
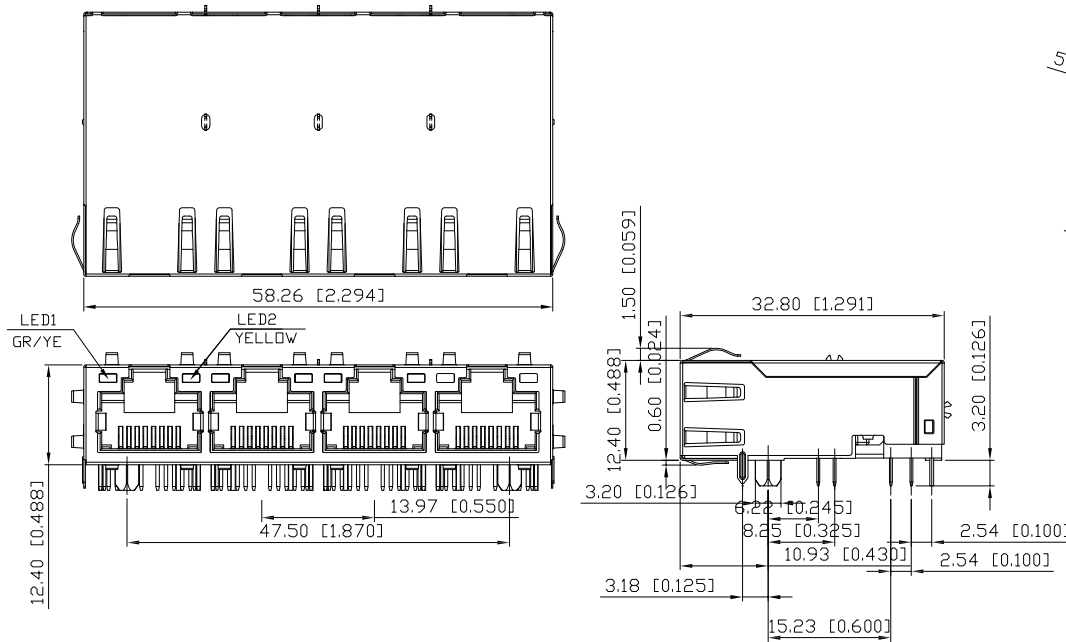


RoHS Compliant

Mechanical:

REV	MODIFICATION	DATE	DRAW	APPROVE

1. MECHANICAL DIMENSIONS :



Suggested PCB Pad Layout
Component Side View

Connect Material:

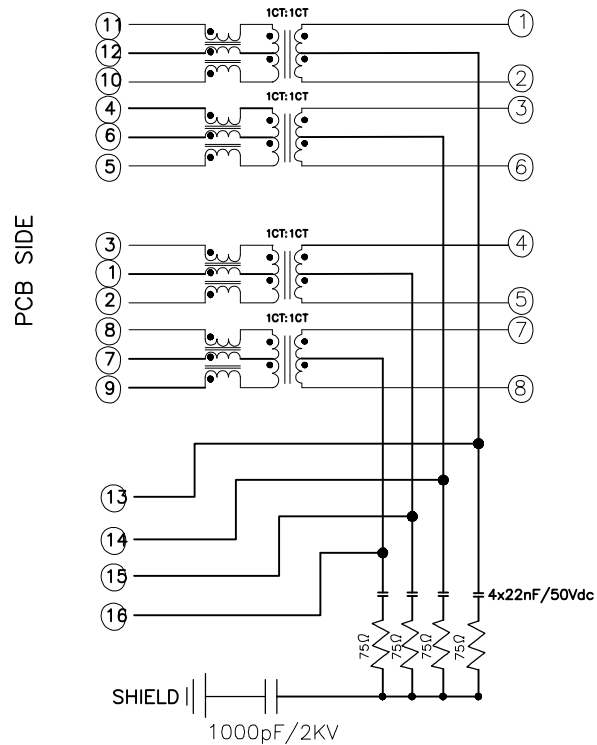
- Housing and inserter:LCP,UL 94V-0,Black
- Contact/Shield:Copper alloy
- Shield Plating:Nickel
- Contact Plating:Selective gold 6u" Min

QC : Inspection Item	DIMENSION IN mm [Inch]		ZhenDeng Electronics Co.,Ltd		
	TOLERANCE UNLESS OTHERWISE SPECIFIED		TITLE		
	.X± 0.38	X.*± 2.0'	RJ45 1X4 10G WITH POE		
	.XX± 0.20	.X*± 1.0'	DRAWING NUMBER		
	.XXX± 0.10		84912011		
APPROVE	CHECK	DRAW	PROJ.	SHEET 1 OF 3	
		CLT 2024,11,09	SCALE 1:1	REV A	

RoHS Compliant

REV	MODIFICATION	DATE	DRAW	APPROVE

Schematic:



ELECTRICAL CHARACTERISTICS AT +25°C UNLESS OTHER SPECIFIED
MEETS IEEE 802.3 SPECIFICATION

PARAMETER	SPECIFICATIONS			
OPERATING TEMPERATURE	-40°C TO +85°C			
TURNS RATIO	1.00 ± 2%			
POLARITY	PER SCHEMATIC			
INSERTION LOSS (SDD21&SDD12)	1-65MHz	65-125MHz	125-400MHz	400-500MHz
	-0.8dB MAX	-1.0dB MAX	-2.5dB MAX	-3.5dB MAX
PHY-SIDE RETURN LOSS (SDD11-Zref=100 OHMS ± 1%) (SDD22-Zref=100 OHMS ± 1%)	1MHz	2-100MHz	100-200MHz	
	-22dB MIN	-25dB MIN	-25+3*($\frac{f-100}{100}$)dB MIN	
	200-400MHz		400-500MHz	
	-22+11*($\frac{f-200}{200}$)dB MIN		-11+3*($\frac{f-400}{100}$)dB MIN	
INDUCTANCE (OCL)	120 uH MIN @ 100KHz, 100mV			
CROSSTALK, ADJACENT CHANNELS (SDD21-ADJ.)	1-100MHz		100-500MHz	
	-30dB MIN		-20dB MIN	
COMMON MODE REJECTION RATIO (SCC21)	1-100MHz	100-300MHz	300-500MHz	
	-30dB MIN	-22dB MIN	-17dB MIN	
COMM. TO DIFF REJECTION RATIO (SDC12)	1-100MHz	100-300MHz	300-500MHz	
	-32dB MIN	-27dB MIN	-22dB MIN	
PCB SIDE-CABLE SIDE ISOLATION	2250 VDC FOR 60 SECONDS			

NOTE: f IS FREQUENCY IN MHZ.

Compliant with IEEE 802.3bt for 10G applications

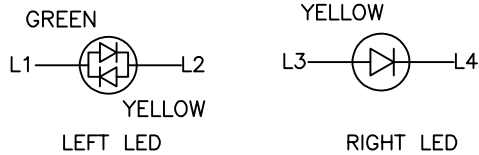
Balanced DC line current: 720mA MAX @57VDC continuous

Operating and Storage Temperature:

Operating Temperature : -40°C to +85°C.

Storage Temperature : -40°C to +85°C.

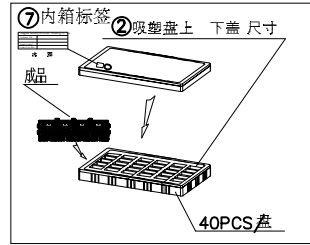
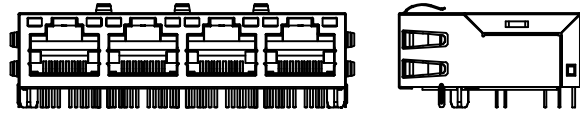
Wave soldering peak temperature:260°C.



QC : Inspection Item	DIMENSION IN mm [Inch]		ZhenDeng Electronics Co.,Ltd	
	TOLERANCE UNLESS OTHERWISE SPECIFIED		TITLE	
	.X± 0.38	X.*± 2.0'	RJ45 1X4 10G WITH POE	
	.XX± 0.20	.X*± 1.0'	DRAWING NUMBER	
.XXX± 0.10		84912011		
APPROVE	CHECK	DRAW	PROJ.	SHEET 2 OF 3
		CLT 2024,11,09	SCALE 1:1	REV A

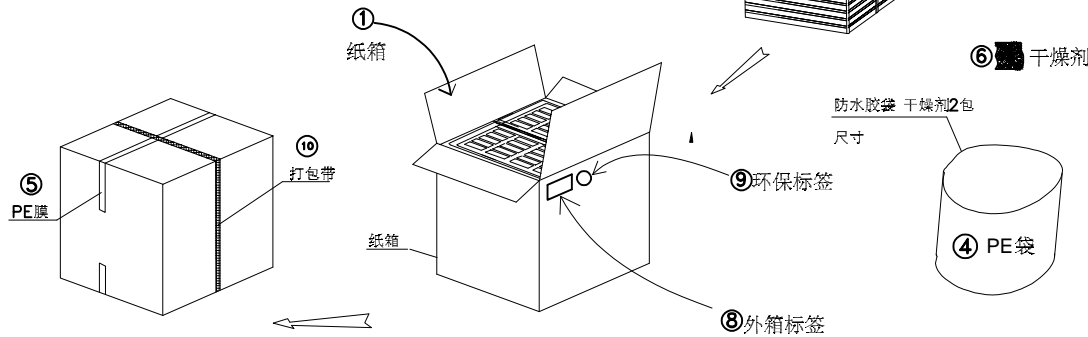
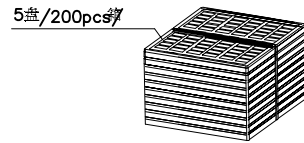
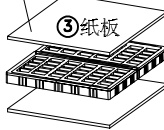
RoHS Compliant

Packing:



产品示意图

纸板上下各一片 隔一层一片 共片尺寸



NOTES:

1. PRIMARY PACKING: 50PCS/TRAY
2. SECONDARY PACKING: 5TRAY/CARTON(250PCS/CARTON)
3. CARTON SIZE:

REV	MODIFICATION	DATE	DRAW	APPROVE

NO.	包材名称	包材料号	用量	适用型别	备注
①	纸箱		1		
②	吸塑盘 (套)		5		
③	PE袋		1		
④	PE膜				
⑤	干燥剂		2		
⑥	内箱标签		5	业务提供	
⑦	外箱标签		1	业务提供	

inspection Item	DIMENSION IN mm [Inch]		ZhenDeng Electronics Co.,Ltd		
	TOLERANCE UNLESS OTHERWISE SPECIFIED		TITLE		
	.X± 0.38	X.*± 2.0"	RJ45 1X4 10G WITH POE		
	.XX± 0.20	.X.*± 1.0"	DRAWING NUMBER		
.XXX± 0.10		84912011			
APPROVE	CHECK	DRAW	PROJ.	SHEET 3 OF 3	
		CLT 2024,11,09	SCALE 1:1	SIZE A3	REV A