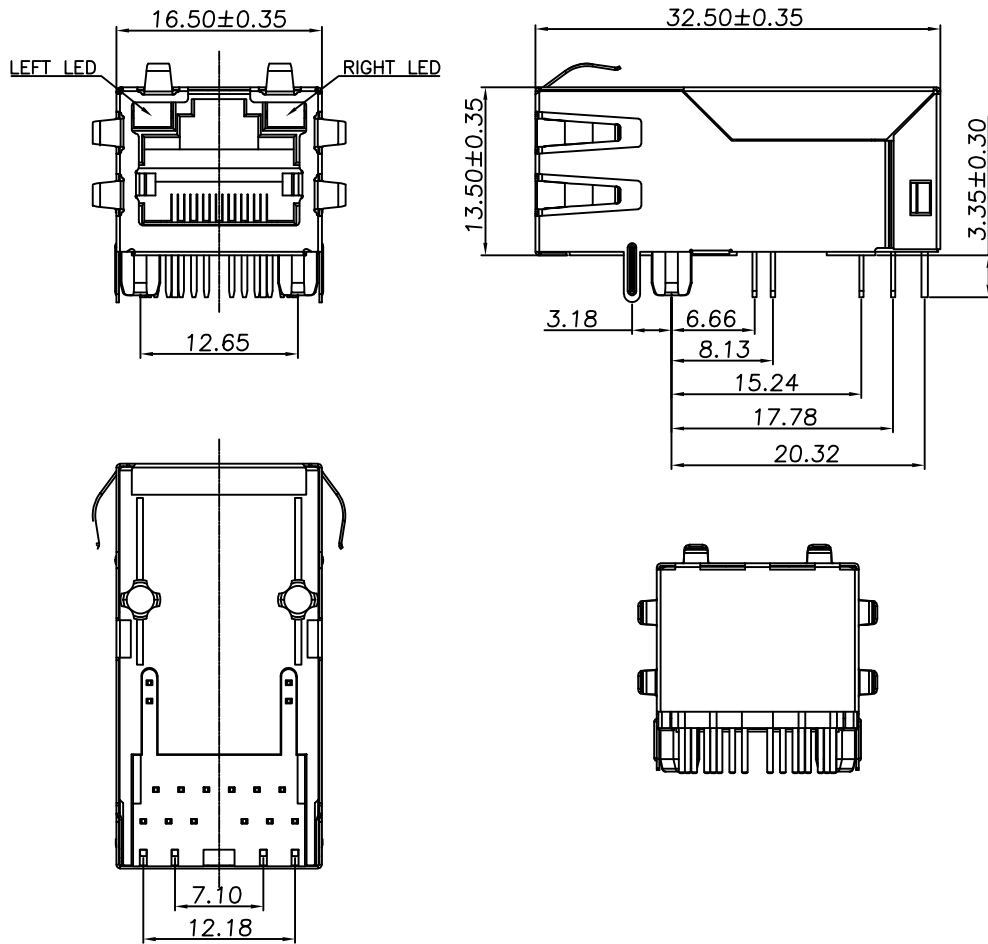


RoHS Compliant

Mechanical:



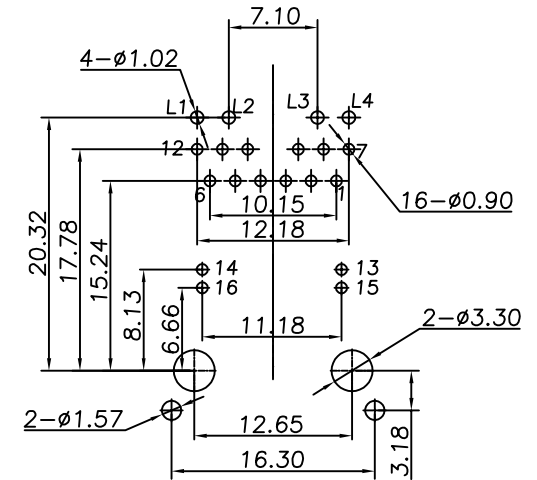
REV	MODIFICATION	DATE	DRAW	APPROVE

1. Material:

- 1.1 Housing: PBT UL94V-0 Black.
Insert: PBT UL94V-0 Black.
- 1.2 Shell: 30u" Ni Over Brass(C2680), T=0.20mm.
- 1.3 RJ45 Terminal: Phosphor Bronze(C5191) T=0.35mm
Plating: 30u" Gold Plated On Contact Area,
80u" ~120u" Tin Plated On Solder Area,
50u" ~80u" Ni Underplated Overall.
- 1.4 Tail Terminal: Brass(C2680) T=0.35mm,
Plating: 80u" ~120u" Tin Plated Over,
30u" ~50u" Ni Underplated Overall.

2. Environmental requirements:

- 2.1 Lead-free process, compliant RoHS.

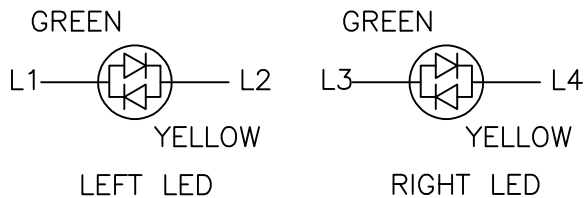
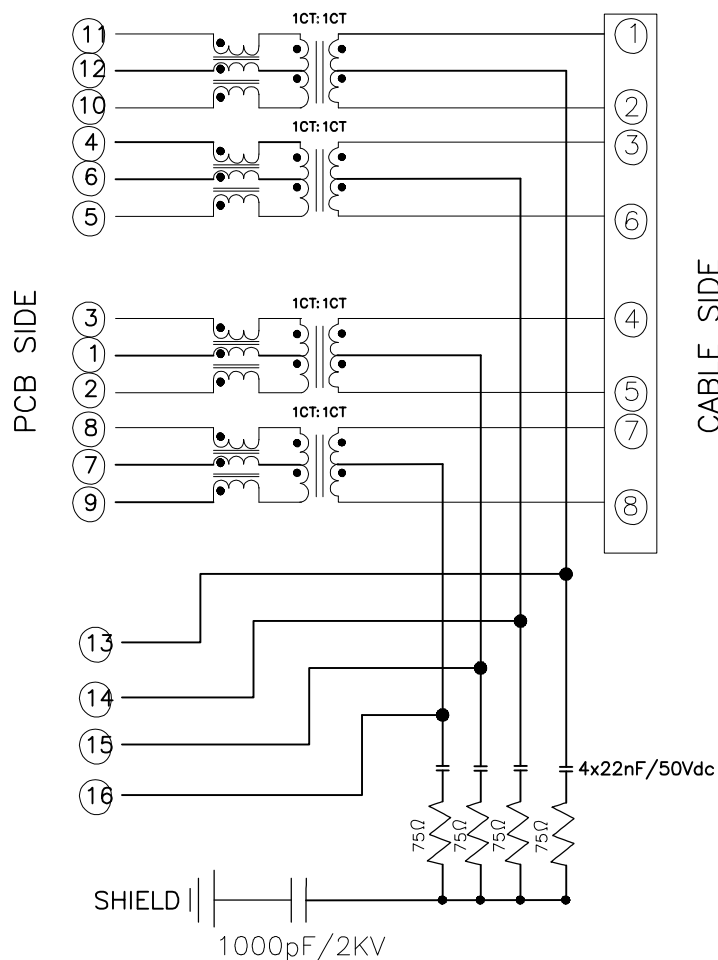


RECOMMENDED P.C.B LAYOUT(PCB THICKNESS: 1.6mm)
COMPONENT SIDE VIEW(TOLERANCE: ±0.05mm)

QC : Inspection Item	DIMENSION IN mm [Inch]		ZhenDeng Electronics Co.,Ltd			
	TOLERANCE UNLESS OTHERWISE SPECIFIED		TITLE			
	.X± 0.38	X.*± 2.0*	RJ45 1X1 10G WITH POE			
	.XX± 0.20	.X*± 1.0*	DRAWING NUMBER			
.XXX± 0.10		81912011				
APPROVE	CHECK	DRAW	PROJ.	SHEET 1 OF 3		
		CLT 2024,11,11	SCALE 1:1	SIZE A3	REV A	

RoHS Compliant

Schematic:



REV	MODIFICATION	DATE	DRAW	APPROVE

ELECTRICAL CHARACTERISTICS AT +25°C UNLESS OTHER SPECIFIED MEETS IEEE 802.3 SPECIFICATION

PARAMETER	SPECIFICATIONS			
OPERATING TEMPERATURE	-40°C TO +85°C			
URNS RATIO	1.00 ± 2%			
POLARITY	PER SCHEMATIC			
INSERTION LOSS (SDD21&SDD12)	1-65MHz	65-125MHz	125-400MHz	400-500MHz
	-0.8dB MAX	-1.0dB MAX	-2.5dB MAX	-3.5dB MAX
PHY-SIDE RETURN LOSS (SDD11-Zref=100 OHMS ± 1%) (SDD22-Zref=100 OHMS ± 1%)	1-40MHz	40-400MHz	400-500MHz	
	-18dB MIN	-18+10*LOG(f/40)dB MIN	-8+30*LOG(f/400)dB MIN	
	INDUCTANCE (OCL) 120 uH MIN @ 100KHz, 100mV			
CROSSTALK, ADJACENT CHANNELS (SDD21-ADJ.)	1-100MHz		100-500MHz	
	-30dB MIN		-20dB MIN	
COMMON MODE REJECTION RATIO (SCC21)	1-100MHz	100-300MHz	300-500MHz	
	-30dB MIN	-22dB MIN	-17dB MIN	
COMM. TO DIFF REJECTION RATIO (SDC12)	1-100MHz	100-300MHz	300-500MHz	
	-32dB MIN	-27dB MIN	-22dB MIN	
PCB SIDE-CABLE SIDE ISOLATION	2250 VDC FOR 60 SECONDS			

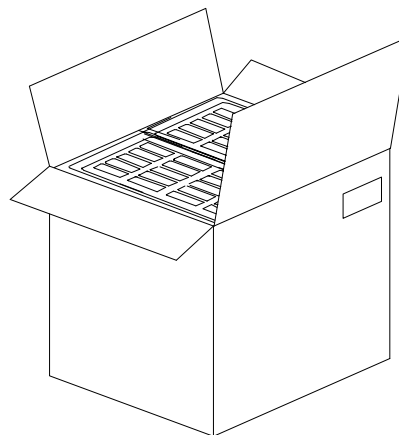
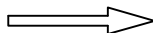
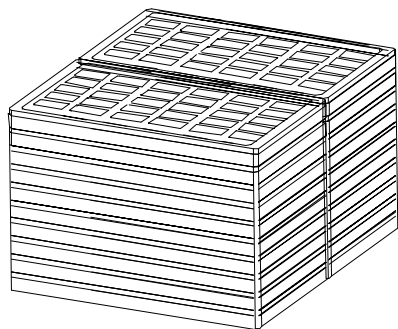
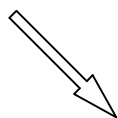
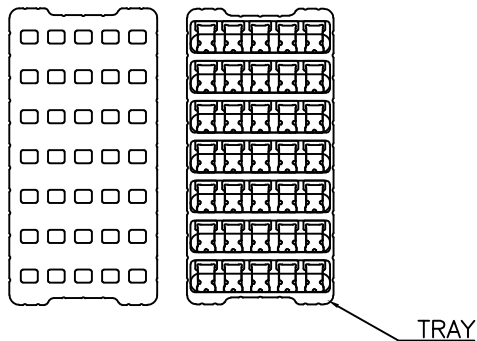
NOTE: f IS FREQUENCY IN MHz.

DC current:1A MAX @57VDC continuous.
 Operating and Storage Temperature:
 Operating Temperature : -40°C to +85°C.
 Storage Temperature : -40°C to +85°C.
 Wave soldering peak temperature:260°C.

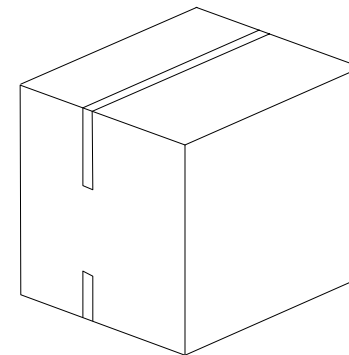
Inspection Item	DIMENSION IN mm [Inch]		ZhenDeng Electronics Co.,Ltd		
	TOLERANCE UNLESS OTHERWISE SPECIFIED		TITLE		
	.X± 0.38	X.*± 2.0°	RJ45 1X1 10G WITH POE		
	.XX± 0.20	.X*± 1.0°	DRAWING NUMBER		
.XXX± 0.10		81912011			
APPROVE	CHECK	DRAW	PROJ.	SHEET 2 OF 3	
		CLT 2024,11,11	SCALE 1:1	SIZE A3	
			REV A		

RoHS Compliant

Packing:



REV	MODIFICATION	DATE	DRAW	APPROVE



NOTES:

1. PRIMARY PACKING: 35PCS/TRAY
2. SECONDARY PACKING: 20TRAY/CARTON(700PCS/CARTON)
3. CARTON SIZE: 330x330x235mm

QC Inspection Item	DIMENSION IN mm [Inch]		ZhenDeng Electronics Co.,Ltd		
	TOLERANCE UNLESS OTHERWISE SPECIFIED		TITLE		
	.X± 0.38	X.*± 2.0*	RJ45 1X1 10G WITH POE		
	.XX± 0.20	.X*± 1.0*	DRAWING NUMBER		
.XXX± 0.10		81912011			
APPROVE	CHECK	DRAW	PROJ.	SHEET 3 OF 3	REV A
		CLT 2024,11,11	SCALE 1:1	SIZE A3	