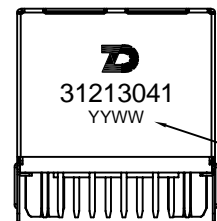
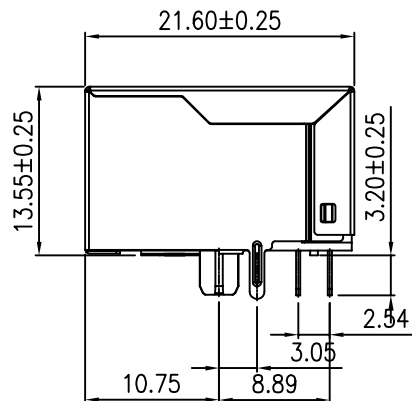
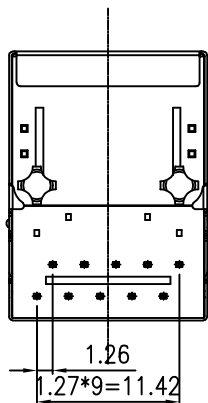
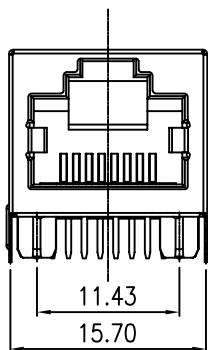
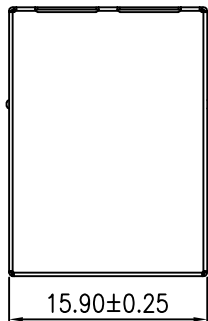


RoHS Compliant Halogen Free

Mechanical:

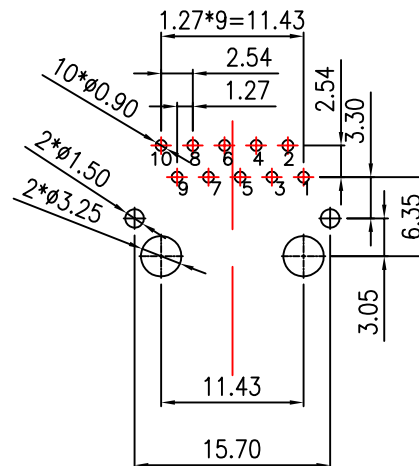


DATE CODE

REV	MODIFICATION	DATE	DRAW	APPROVE

Material:

- 1 Housing: PBT UL94V-0 Black.  
Insert: PBT UL94V-0 Black.
- 2 Shell: :Stainless steel PLATING:30u" NICKEL MIN
- 3 RJ45 Terminal:Phosphor Bronze(C5191) T=0.35mm  
Plating:6u" Gold Plated On Contact Area,  
80u" ~120u" Tin Plated On Solder Area,  
50u" ~80u" Ni Underplated Overall.
- 4 Tail Terminal: Brass(C2680) T=0.35mm,  
Plating: 80u" ~120u" Tin Plated Over,  
30u" ~50u" Ni Underplated Overall.



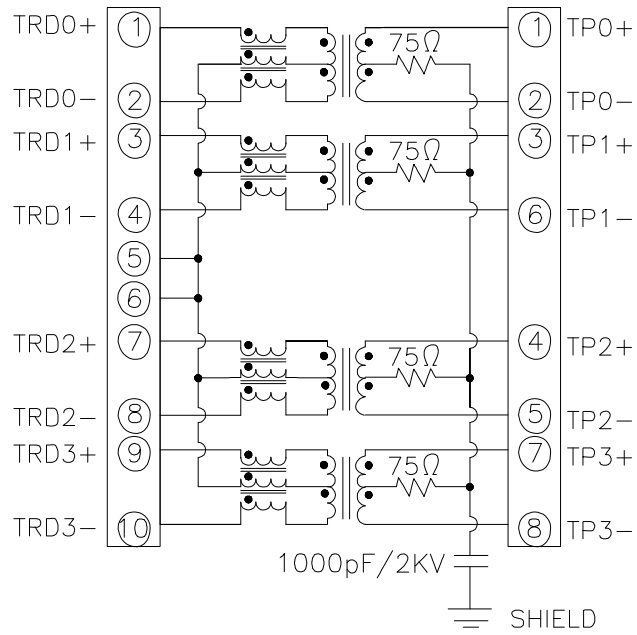
Recommended PCB Layout  
(Tolerance:±0.05)

QC Inspection Item	DIMENSION IN mm [Inch]		<b>ZhenDeng Electronics Co.,Ltd</b>		
	TOLERANCE UNLESS OTHERWISE SPECIFIED		TITLE		
	.X± 0.38	X.*± 2.0*	RJ45 1X1 TAB-UP 10/100/1000		
	.XX± 0.20	.X*± 1.0*	DRAWING NUMBER		
.XXX± 0.10		31213041			
APPROVE	CHECK	DRAW	CLT	PROJ.	SHEET 1 OF 3
		2024,05,10	2024,05,10	SCALE 1:1	REV A
				SIZE A3	

RoHS Compliant

Schematic:

PCB SIDE



CABLE SIDE

REV	MODIFICATION	DATE	DRAW	APPROVE

Electrical Specifications @25°C

Turns Ratio (±2%)		OCL (uH Min.) @100 KHz/0.1V with 8mA DC Bias	Cross talk (dB Min.)				Hi-POT 1.0 mA (V)	
TX	RX		0.5-10 MHz	30 MHz	50 MHz	100 MHz	WITHOUT RESISTOR	WITH RESISTOR
1CT:1CT	1CT:1CT	350	-50	-40	-35	-30	1500 AC	2250 DC

Continue

Insertion Loss (dB Max.)		Return Loss (dB Min.) @ Load 100 OHM					CMR (dB Min.)
1-100 MHz	100-125 MHz (10/100/1000)	1-30 MHz	30-50 MHz	60 MHz	60-80 MHz	80-100 MHz (10/100/1000)	1-100 MHz
-1.0	-1.2	-18	-16	-14	-12	-10	-30

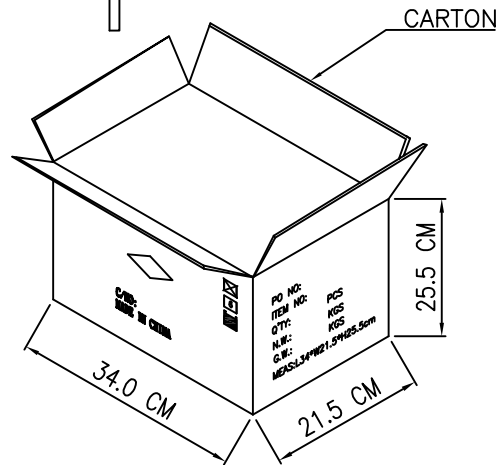
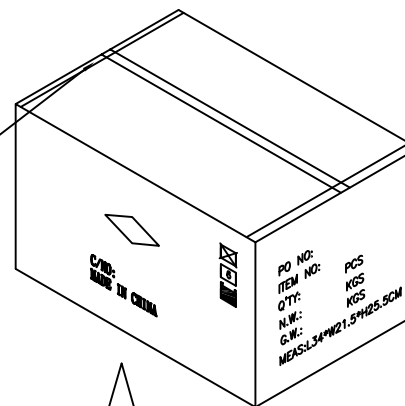
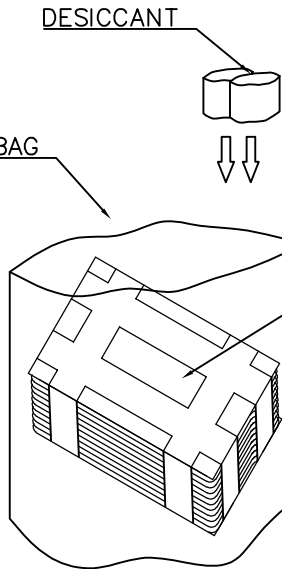
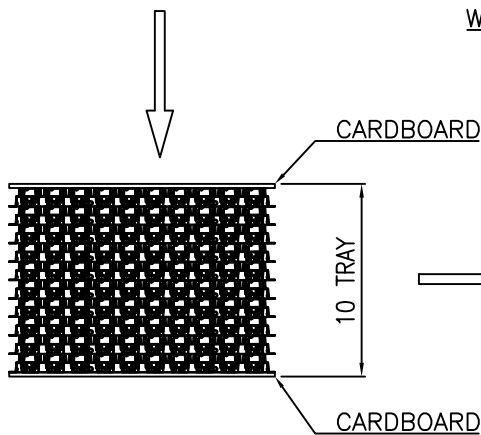
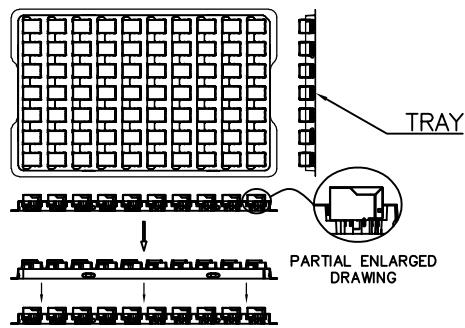
Operating and Storage Temperature:  
 Operating Temperature : -40°C to +85°C.  
 Storage Temperature : -40°C to +85°C.

◎ : Inspection Item	DIMENSION IN mm [Inch]		<b>ZhenDeng Electronics Co.,Ltd</b>		
	TOLERANCE UNLESS OTHERWISE SPECIFIED		TITLE		
	.X± 0.38	X.*± 2.0°	RJ45 1X1 TAB-UP 10/100/1000		
	.XX± 0.20	.X*± 1.0°	DRAWING NUMBER		
.XXX± 0.10		31213041			
APPROVE	CHECK	DRAW	CLT	PROJ.	SHEET 2 OF 3
		2024,05,10	2024,05,10	SCALE 1:1	REV A

RoHS Compliant

Packing:

REV	MODIFICATION	DATE	DRAW	APPROVE



NOTES:

1. PRIMARY PACKING: 70PCS/TRAY
2. SECONDARY PACKING: 10TRAY/CARTON(700PCS/CARTON)
3. CARTON SIZE: 340x215x255mm

QC Inspection Item	DIMENSION IN mm [Inch]		ZhenDeng Electronics Co.,Ltd	
	TOLERANCE UNLESS OTHERWISE SPECIFIED			
	.X± 0.38	X.*± 2.0°	RJ45 1X1 21&31- PACKING	
	.XX± 0.20	.X*± 1.0°	DRAWING NUMBER	
.XXX± 0.10		21&31- PACKING		
APPROVE	CHECK	DRAW	CLT	PROJ.
		2024,05,10	2024,05,10	SCALE 1:1
				SHEET 3 OF 3
				SIZE A3 REV A