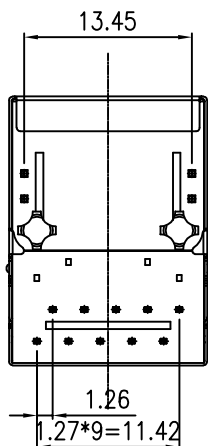
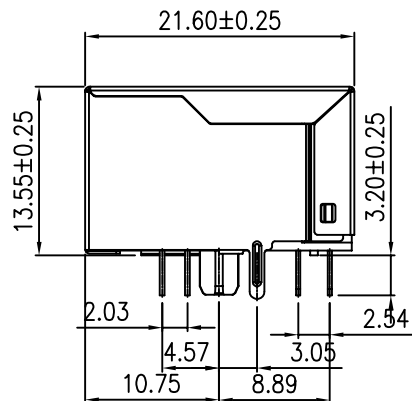
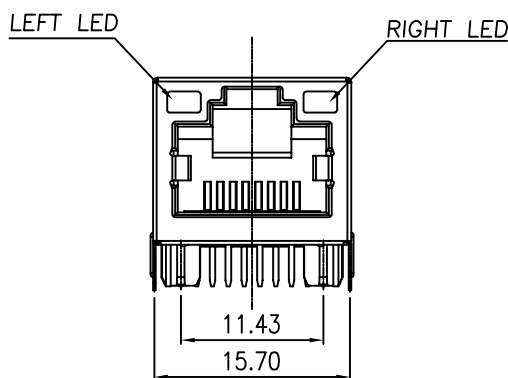
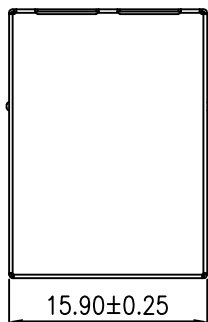


RoHS Compliant Halogen Free

REV	MODIFICATION	DATE	DRAW	APPROVE

Mechanical:

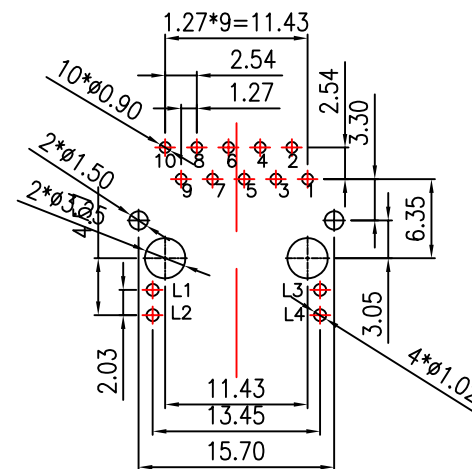
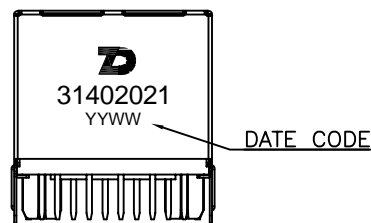


1. Material:

- 1.1 Housing: PBT UL94V-0 Black.
Insert: PBT UL94V-0 Black.
- 1.2 Shell: 30u" Ni Over Brass(C2680), T=0.20mm.
- 1.3 RJ45 Terminal: Phosphor Bronze(C5191) T=0.35mm
Plating: 6u" Gold Plated On Contact Area,
80u" ~120u" Tin Plated On Solder Area,
50u" ~80u" Ni Underplated Overall.
- 1.4 Tail Terminal: Brass(C2680) T=0.35mm,
Plating: 80u" ~120u" Tin Plated Over,
30u" ~50u" Ni Underplated Overall.

2. Environmental requirements:

- 2.1 Lead-free process, compliant RoHS.

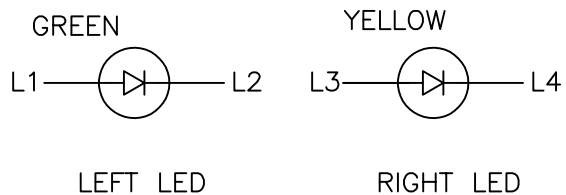
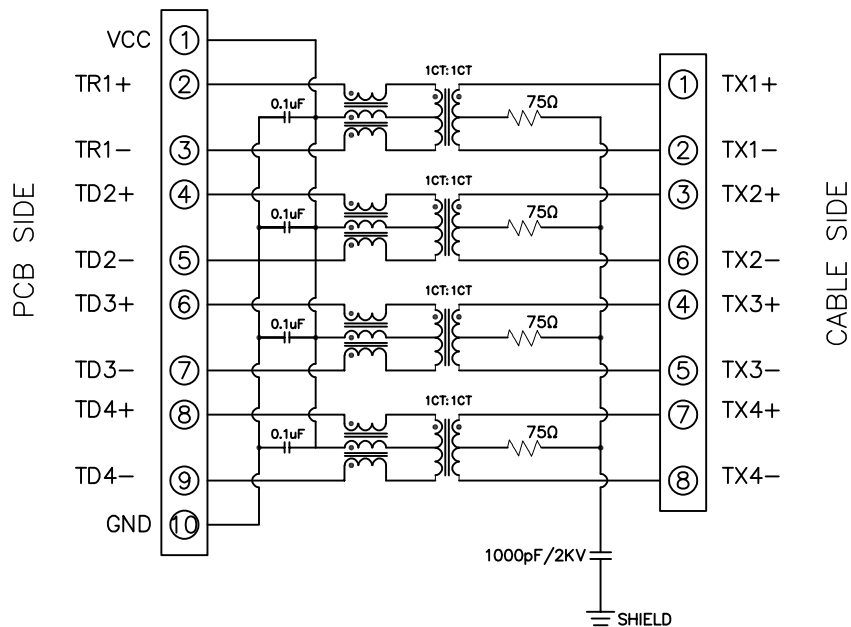


Recommended PCB Layout
(Tolerance: ±0.05)

QC Inspection Item	DIMENSION IN mm [Inch]		ZhenDeng Electronics Co.,Ltd		
	TOLERANCE UNLESS OTHERWISE SPECIFIED		TITLE		
	.X± 0.38	X.*± 2.0*	RJ45 1X1 2.5G BASE-T		
	.XX± 0.20	.X*± 1.0*	DRAWING NUMBER		
.XXX± 0.10		31402021			
APPROVE	CHECK	DRAW	CLT	PROJ.	SHEET 1 OF 3
		2024,11,16	2024,11,16	SCALE 1:1	SIZE A3 REV A

RoHS Compliant

Schematic:



REV	MODIFICATION	DATE	DRAW	APPROVE

ELECTRICAL CHARACTERISTICS AT +25°C UNLESS OTHER SPECIFIED
MEETS IEEE 802.3 SPECIFICATION

PARAMETER	SPECIFICATIONS	
OPERATING TEMPERATURE	0°C TO +70°C	
TURNS RATIO	1.00 ± 2%	
POLARITY	PER SCHEMATIC	
INSERTION LOSS (SDD21&SDD12)	1-50MHz	50-125MHz
	-0.5 dB MAX	-1.0 dB MAX
PHY-SIDE RETURN LOSS (SDD11-Zref=100 OHMS ± 1%)	1-40MHz	40-200MHz
	-20 dB MIN	-20+15*LOG10(f/40) dB MIN
LINE-SIDE RETURN LOSS (SDD22-Zref=100 OHMS ± 1%)	1-40MHz	40-200MHz
	-20 dB MIN	-20+15*LOG10(f/40) dB MIN
INDUCTANCE (OCL)	120 uH MIN @ 100KHz, 100mV	
CROSSTALK, ADJACENT CHANNELS (SDD21-ADJ.)	1-125MHz	
	-30 dB MIN	
COMMON MODE REJECTION RATIO (SCC21)	30-200MHz	
	-30 dB MIN	
COMM. TO DIFF REJECTION RATIO (SDC12)	10-125MHz	
	-45+f/35 dB MIN	
INPUT-OUTPUT ISOLATION	2250 VDC FOR 60 SECONDS	

NOTE: f IS FREQUENCY IN MHZ.

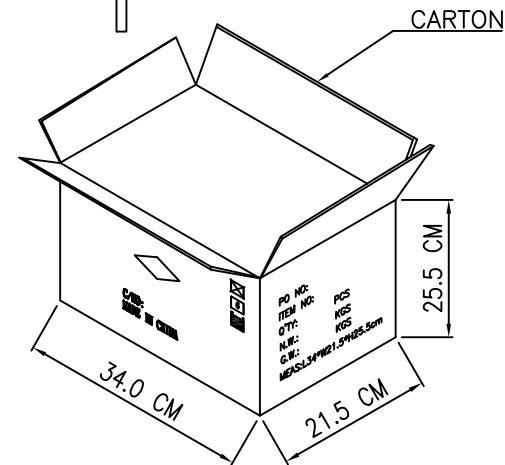
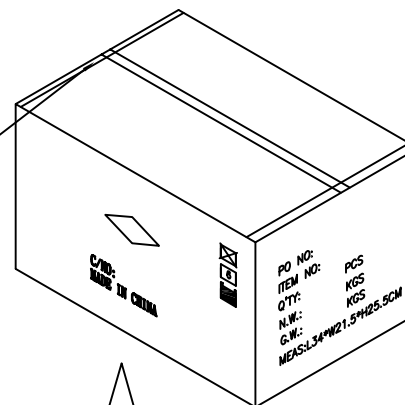
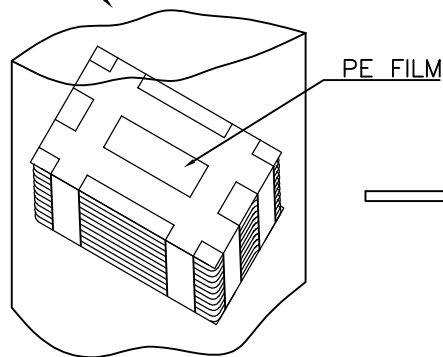
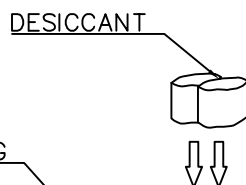
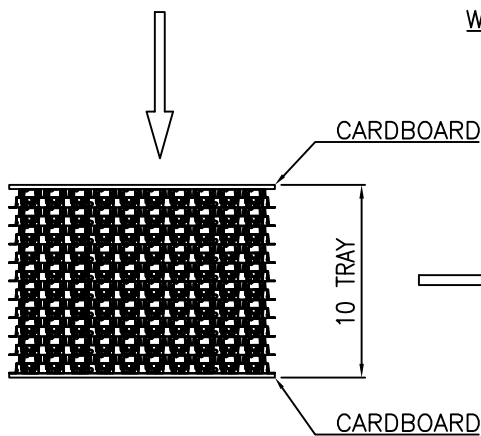
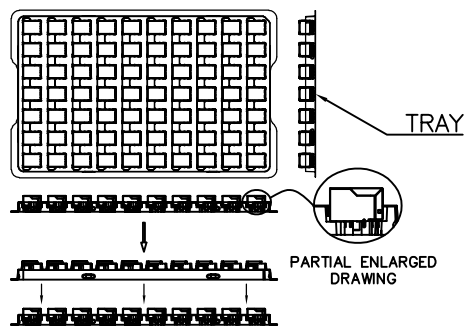
Operating and Storage Temperature:
Operating Temperature : -40°C to +85°C.
Storage Temperature : -40°C to +85°C.

Inspection Item QC	DIMENSION IN mm [Inch]		ZhenDeng Electronics Co.,Ltd	
	TOLERANCE UNLESS OTHERWISE SPECIFIED		TITLE	
	.X ± 0.38	X.* ± 2.0*	RJ45 1X1 2.5G BASE-T	
	.XX ± 0.20	.X* ± 1.0*	DRAWING NUMBER	
.XXX ± 0.10		31402021		
APPROVE	CHECK	DRAW	PROJ.	SHEET 2 OF 3
		CLT 2024,11,16	SCALE 1:1	REV A

RoHS Compliant

Packing:

REV	MODIFICATION	DATE	DRAW	APPROVE



NOTES:

1. PRIMARY PACKING: 70PCS/TRAY
2. SECONDARY PACKING: 10TRAY/CARTON(700PCS/CARTON)
3. CARTON SIZE: 340x215x255mm

QC Inspection Item	DIMENSION IN mm [Inch]		ZhenDeng Electronics Co.,Ltd		
	TOLERANCE UNLESS OTHERWISE SPECIFIED				
	.X± 0.38	X.*± 2.0°	RJ45 1X1 21&31- PACKING		
	.XX± 0.20	.X*± 1.0°	DRAWING NUMBER		
.XXX± 0.10		21&31- PACKING			
APPROVE	CHECK	DRAW	CLT	PROJ.	SHEET 3 OF 3
		2024,11,16	2024,11,16	SCALE 1:1	REV A