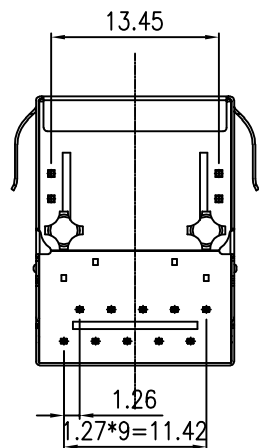
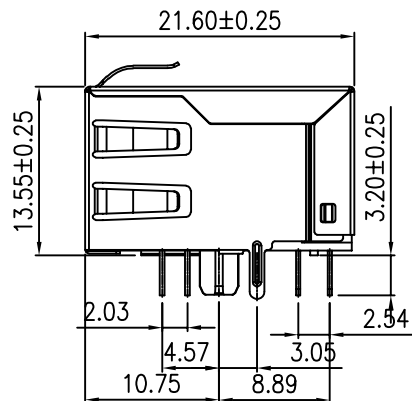
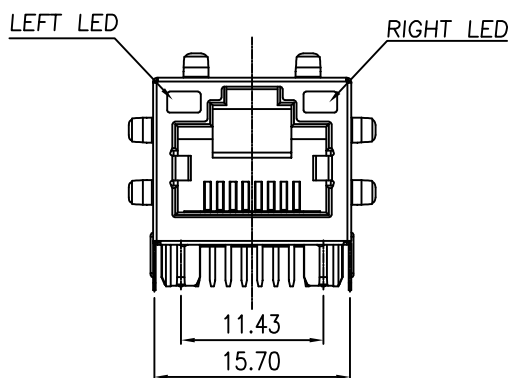
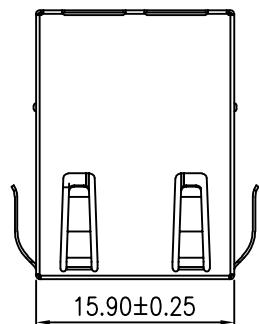


1 RoHS Compliant 2 Halogen Free

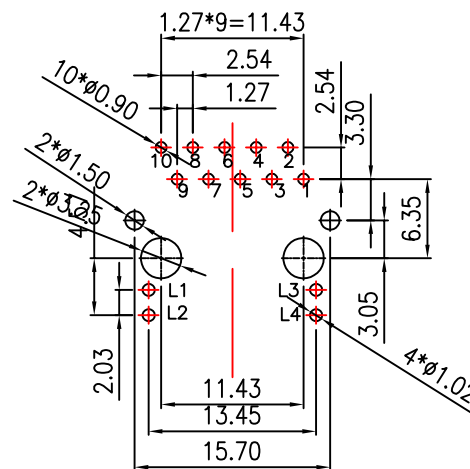
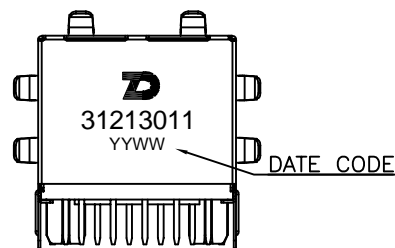
| REV | MODIFICATION | DATE | DRAW | APPROVE |
|-----|--------------|------|------|---------|
|     |              |      |      |         |
|     |              |      |      |         |

Mechanical:



Material:

- 1 Housing: PBT UL94V-0 Black.  
Insert: PBT UL94V-0 Black.
- 2 Shell: :Stainless steel PLATING:30u" NICKEL MIN
- 3 RJ45 Terminal:Phosphor Bronze(C5191) T=0.35mm  
Plating:6u" Gold Plated On Contact Area,  
80u" ~120u" Tin Plated On Solder Area,  
50u" ~80u" Ni Underplated Overall.
- 4 Tail Terminal: Brass(C2680) T=0.35mm,  
Plating: 80u" ~120u" Tin Plated Over,  
30u" ~50u" Ni Underplated Overall.



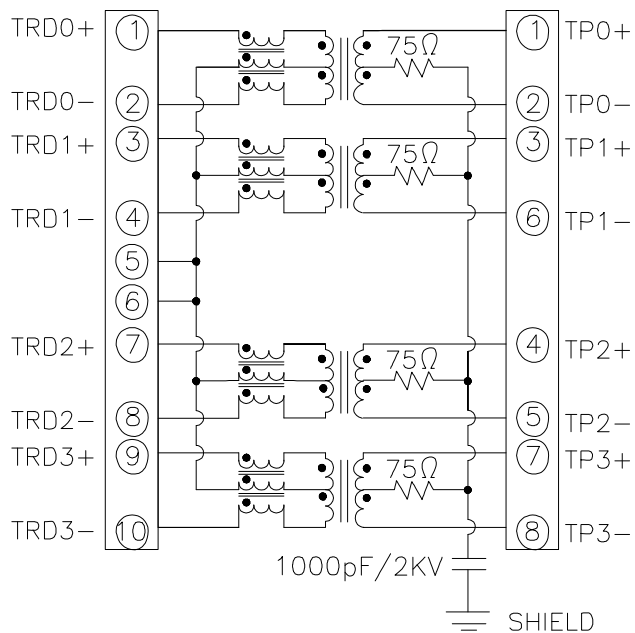
Recommended PCB Layout  
(Tolerance:±0.05)

|                 |                                      |            |                              |           |              |
|-----------------|--------------------------------------|------------|------------------------------|-----------|--------------|
| Inspection Item | DIMENSION IN mm [Inch]               |            | ZhenDeng Electronics Co.,Ltd |           |              |
|                 | TOLERANCE UNLESS OTHERWISE SPECIFIED |            | TITLE                        |           |              |
|                 | .X± 0.38                             | X.*± 2.0*  | RJ45 1X1 TAB-UP 10/100/1000  |           |              |
|                 | .XX± 0.20                            | .X*± 1.0*  | DRAWING NUMBER               |           |              |
| .XXX± 0.10      |                                      | 31213011   |                              |           |              |
| APPROVE         | CHECK                                | DRAW       | CLT                          | PROJ.     | SHEET 1 OF 3 |
|                 |                                      | 2024,05,10 | 2024,05,10                   | SCALE 1:1 | REV A        |
|                 |                                      |            |                              | SIZE A3   |              |

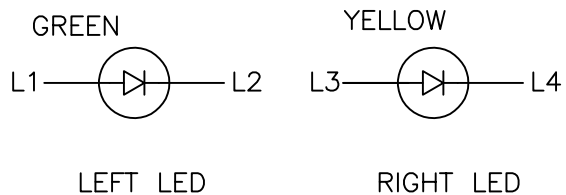
RoHS Compliant

Schematic:

PCB SIDE



CABLE SIDE



|     |              |      |      |         |
|-----|--------------|------|------|---------|
| REV | MODIFICATION | DATE | DRAW | APPROVE |
|     |              |      |      |         |
|     |              |      |      |         |

| Electrical Specifications @25°C |         |  |                      |        |        |         |                      |               |
|---------------------------------|---------|--|----------------------|--------|--------|---------|----------------------|---------------|
| Turns Ratio (±2%)               |         | OCL (uH Min.)<br>@100 KHz/0.1V<br>with 8mA DC Bias | Cross talk (dB Min.) |        |        |         | Hi-POT<br>1.0 mA (V) |               |
| TX                              | RX      |  | 0.5-10 MHz           | 30 MHz | 50 MHz | 100 MHz | WITHOUT RESISTOR     | WITH RESISTOR |
| 1CT:1CT                         | 1CT:1CT | 350  | -50                  | -40    | -35    | -30     | 1500 AC              | 2250 DC       |

| Continue                 |                              |                                      |           |        |           |                             |               |
|--------------------------|------------------------------|--------------------------------------|-----------|--------|-----------|-----------------------------|---------------|
| Insertion Loss (dB Max.) |                              | Return Loss (dB Min.) @ Load 100 OHM |           |        |           |                             | CMR (dB Min.) |
| 1-100 MHz                | 100-125 MHz<br>(10/100/1000) | 1-30 MHz                             | 30-50 MHz | 60 MHz | 60-80 MHz | 80-100 MHz<br>(10/100/1000) | 1-100 MHz     |
| -1.0                     | -1.2                         | -18                                  | -16       | -14    | -12       | -10                         | -30           |

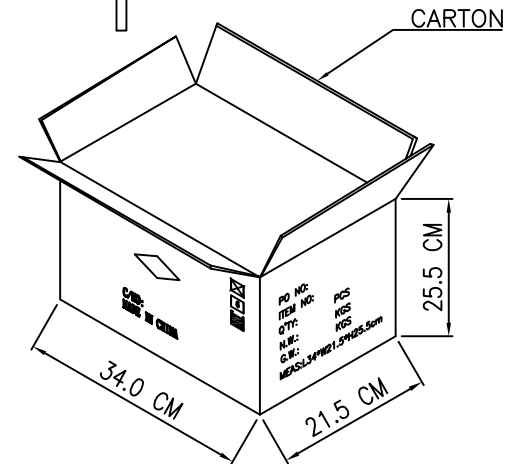
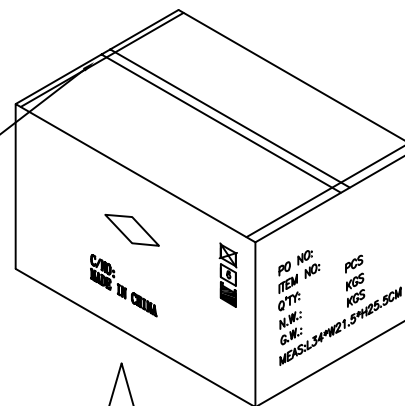
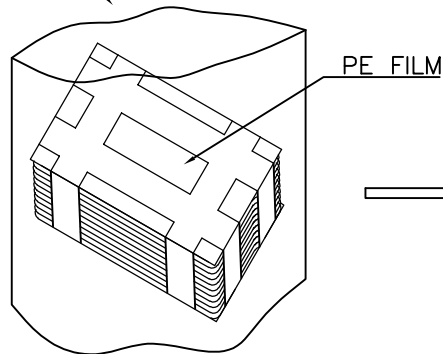
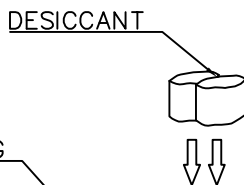
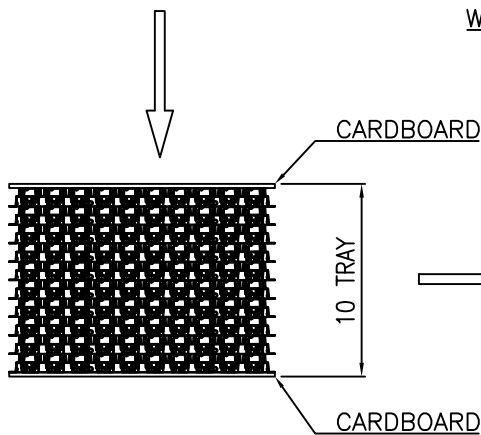
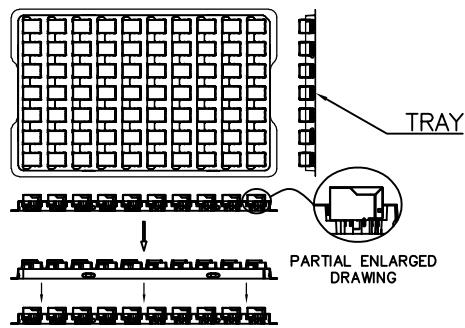
Operating and Storage Temperature:  
 Operating Temperature : -40°C to +85°C.  
 Storage Temperature : -40°C to +85°C.

|                 |                                      |                   |                                     |              |       |
|-----------------|--------------------------------------|-------------------|-------------------------------------|--------------|-------|
| Inspection Item | DIMENSION IN mm [Inch]               |                   | <b>ZhenDeng Electronics Co.,Ltd</b> |              |       |
|                 | TOLERANCE UNLESS OTHERWISE SPECIFIED |                   | TITLE                               |              |       |
|                 | .X± 0.38                             | X.*± 2.0°         | RJ45 1X1 TAB-UP 10/100/1000         |              |       |
|                 | .XX± 0.20                            | .X*± 1.0°         | DRAWING NUMBER                      |              |       |
| .XXX± 0.10      |                                      | 31213011          |                                     |              |       |
| APPROVE         | CHECK                                | DRAW              | PROJ.                               | SHEET 2 OF 3 |       |
|                 |                                      | CLT<br>2024,05,10 | SCALE 1:1                           | SIZE A3      | REV A |

RoHS Compliant

Packing:

| REV | MODIFICATION | DATE | DRAW | APPROVE |
|-----|--------------|------|------|---------|
|     |              |      |      |         |
|     |              |      |      |         |



NOTES:

1. PRIMARY PACKING: 70PCS/TRAY
2. SECONDARY PACKING: 10TRAY/CARTON(700PCS/CARTON)
3. CARTON SIZE: 340x215x255mm

| QC : Inspection Item | DIMENSION IN mm [Inch]               |                | ZhenDeng Electronics Co.,Ltd |           |               |
|----------------------|--------------------------------------|----------------|------------------------------|-----------|---------------|
|                      | TOLERANCE UNLESS OTHERWISE SPECIFIED |                | TITLE                        |           |               |
|                      | .X± 0.38                             | X.*± 2.0°      | RJ45 1X1 21&31- PACKING      |           |               |
|                      | .XX± 0.20                            | .X*± 1.0°      | DRAWING NUMBER               |           |               |
| .XXX± 0.10           |                                      | 21&31- PACKING |                              |           |               |
| APPROVE              | CHECK                                | DRAW           | CLT                          | PROJ.     | SHEET 3 OF 3  |
|                      |                                      | 2024,05,10     | 2024,05,10                   | SCALE 1:1 | SIZE A3 REV A |