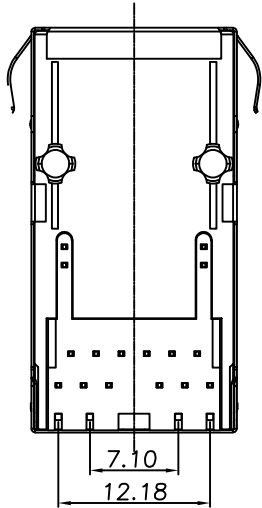
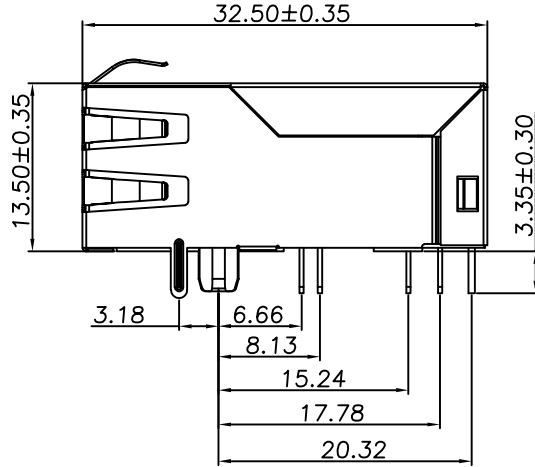
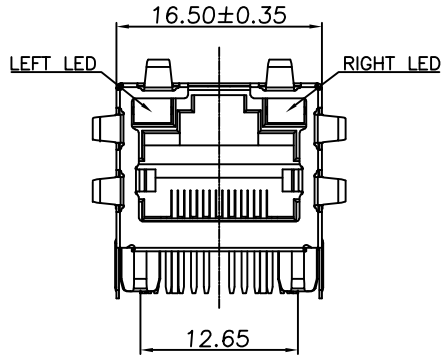


**RoHS Compliant**

Mechanical:



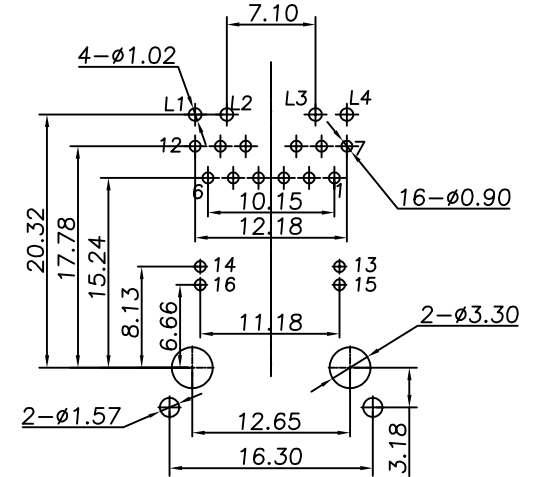
REV	MODIFICATION	DATE	DRAW	APPROVE

**1. Material:**

- 1.1 Housing: PBT UL94V-0 Black.  
Insert: PBT UL94V-0 Black.
- 1.2 Shell: 30u" Ni Over Brass(C2680), T=0.20mm.
- 1.3 RJ45 Terminal: Phosphor Bronze(C5191) T=0.35mm  
Plating: 6u" Gold Plated On Contact Area,  
80u" ~120u" Tin Plated On Solder Area,  
50u" ~80u" Ni Underplated Overall.
- 1.4 Tail Terminal: Brass(C2680) T=0.35mm,  
Plating: 80u" ~120u" Tin Plated Over,  
30u" ~50u" Ni Underplated Overall.

**2. Environmental requirements:**

- 2.1 Lead-free process, compliant RoHS.

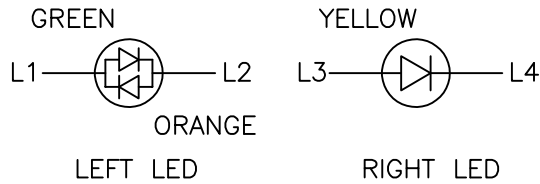
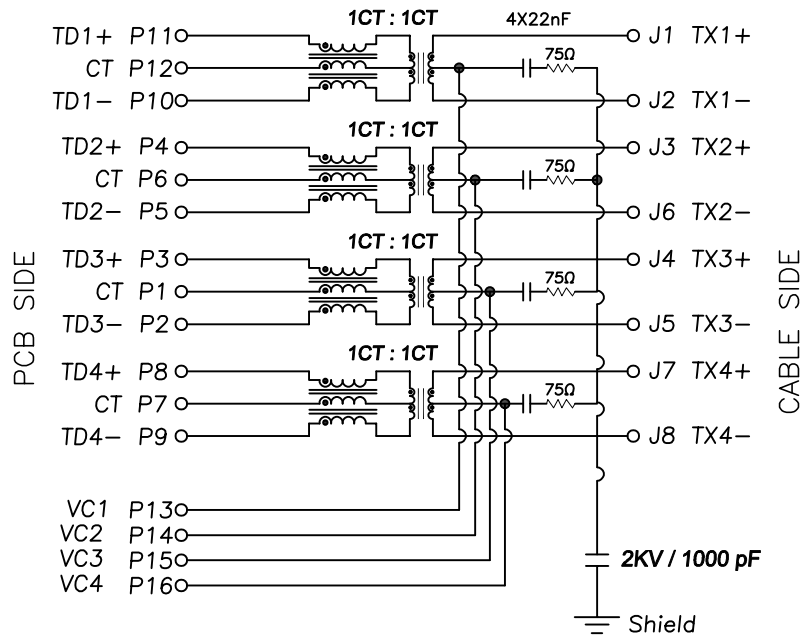


RECOMMENDED P.C.B LAYOUT(PCB THICKNESS: 1.6mm)  
COMPONENT SIDE VIEW(TOLERANCE:  $\pm 0.05$ mm)

QC : Inspection Item	DIMENSION IN mm [Inch]		<b>ZhenDeng Electronics Co.,Ltd</b>		
	TOLERANCE UNLESS OTHERWISE SPECIFIED		TITLE		
	.X $\pm$ 0.38 X.* $\pm$ 2.0*		RJ45 1X1 10/100/1000 WITH POE		
	.XX $\pm$ 0.20 .X* $\pm$ 1.0*		DRAWING NUMBER		
.XXX $\pm$ 0.10		81301011			
APPROVE	CHECK	DRAW	PROJ.	SHEET 1 OF 3	
		KONGLEI 2024,07,21	SCALE 1:1	SIZE A3	REV A

RoHS Compliant

Schematic:



REV	MODIFICATION	DATE	DRAW	APPROVE

Electrical Specifications @25°C								
Turns Ratio (±2%)		OCL (uH Min.) @100 KHz/0.1V with 8mA DC Bias	Cross talk (dB Min.)				Hi-POT 1.0 mA (V)	
TX	RX		0.5-10 MHz	30 MHz	50 MHz	100 MHz	WITHOUT RESISTOR	WITH RESISTOR
1CT:1CT	1CT:1CT	350	-50	-40	-35	-30	1500 AC	2250 DC

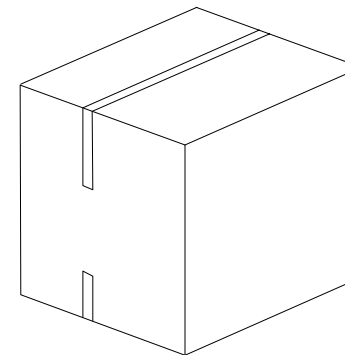
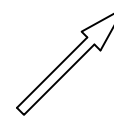
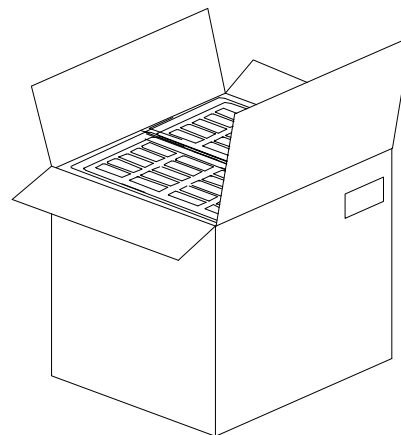
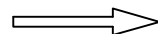
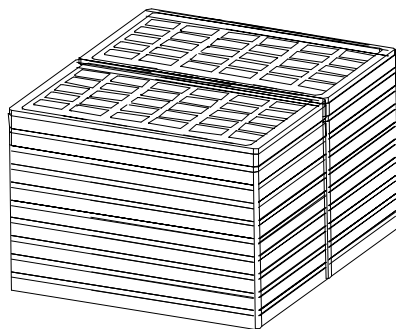
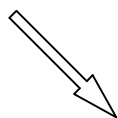
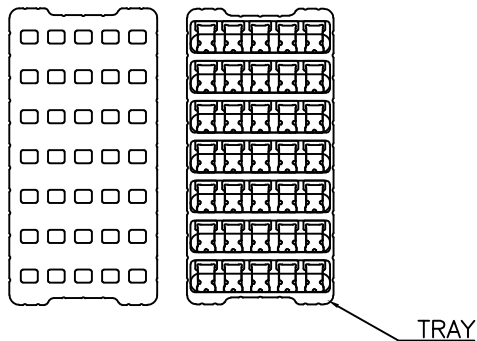
Continue							
Insertion Loss (dB Max.)		Return Loss (dB Min.) @ Load 100 OHM					CMR (dB Min.)
1-100 MHz	100-125 MHz (10/100/1000)	1-30 MHz	30-50 MHz	60 MHz	60-80 MHz	80-100 MHz (10/100/1000)	1-100 MHz
-1.0	-1.2	-18	-16	-14	-12	-10	-30

BALANCED DC LINE CURRENT 720mA max@57 VDC CONTINUOUS.  
 Operating and Storage Temperature:  
 Operating Temperature : -40°C to +85°C.  
 Storage Temperature : -40°C to +85°C.  
 Wave soldering peak temperature:260°C.

◎ : Inspection Item	DIMENSION IN mm [Inch]		<b>ZhenDeng Electronics Co.,Ltd</b>		
	TOLERANCE UNLESS OTHERWISE SPECIFIED		TITLE RJ45 1X1 10/100/1000 WITH POE		
	.X± 0.38	X.*± 2.0*	DRAWING NUMBER 81301011		
	.XX± 0.20	.X*± 1.0*	DRAW		
.XXX± 0.10		KONGLEI 2024,07,21			
APPROVE	CHECK	DRAW	PROJ.	SHEET 2 OF 3	
		2024,07,21	SCALE 1:1	SIZE A3	REV A

RoHS Compliant

Packing:



REV	MODIFICATION	DATE	DRAW	APPROVE

NOTES:

1. PRIMARY PACKING: 35PCS/TRAY
2. SECONDARY PACKING: 20TRAY/CARTON(700PCS/CARTON)
3. CARTON SIZE: 330x330x235mm

QC : Inspection Item	DIMENSION IN mm [Inch]		<b>ZhenDeng Electronics Co.,Ltd</b>		
	TOLERANCE UNLESS OTHERWISE SPECIFIED		TITLE		
	.X± 0.38	X.*± 2.0*	RJ45 1X1 10/100/1000 WITH POE		
	.XX± 0.20	.X*± 1.0*	DRAWING NUMBER		
.XXX± 0.10		81301011			
APPROVE	CHECK	DRAW	PROJ.	SHEET 3 OF 3	
		KONGLEI 2024,07,21			
			SCALE 1:1	SIZE A3	REV A