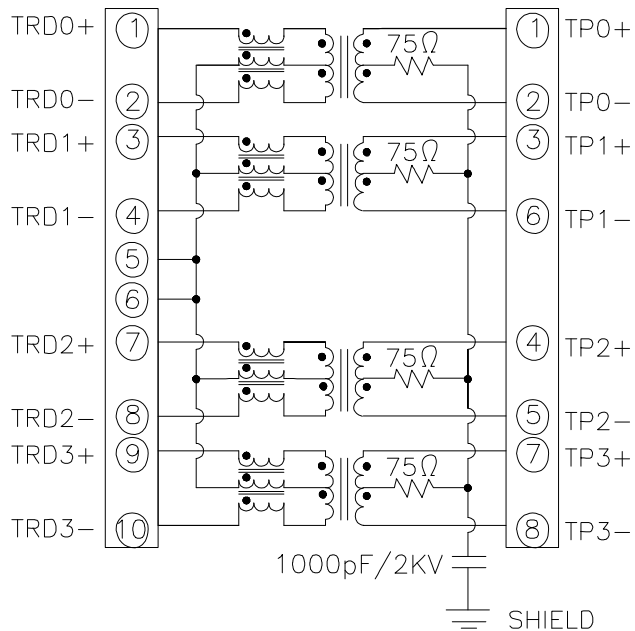




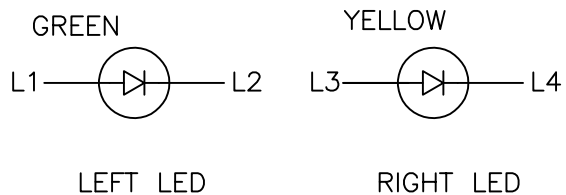
RoHS Compliant

Schematic:

PCB SIDE



CABLE SIDE



REV	MODIFICATION	DATE	DRAW	APPROVE

Electrical Specifications @25°C								
Turns Ratio (±2%)		OCL (uH Min.) @100 KHz/0.1V with 8mA DC Bias	Cross talk (dB Min.)				Hi-POT 1.0 mA (V)	
TX	RX		0.5-10 MHz	30 MHz	50 MHz	100 MHz	WITHOUT RESISTOR	WITH RESISTOR
1CT:1CT	1CT:1CT	350	-50	-40	-35	-30	1500 AC	2250 DC

Continue							
Insertion Loss (dB Max.)		Return Loss (dB Min.) @ Load 100 OHM					CMR (dB Min.)
1-100 MHz	100-125 MHz (10/100/1000)	1-30 MHz	30-50 MHz	60 MHz	60-80 MHz	80-100 MHz (10/100/1000)	1-100 MHz
-1.0	-1.2	-18	-16	-14	-12	-10	-30

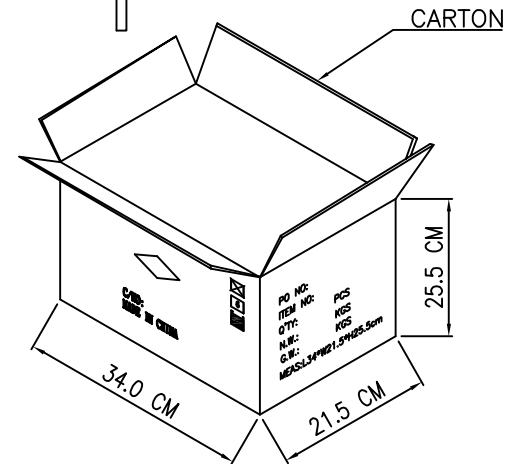
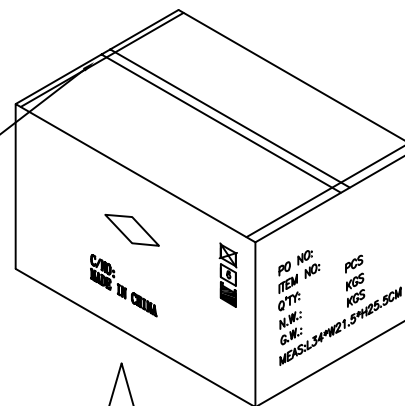
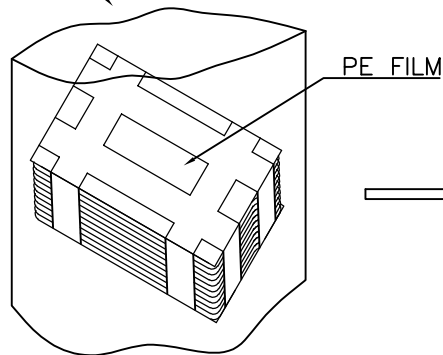
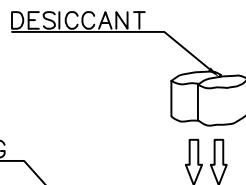
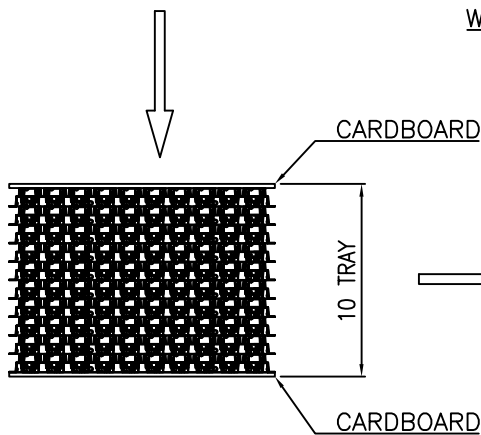
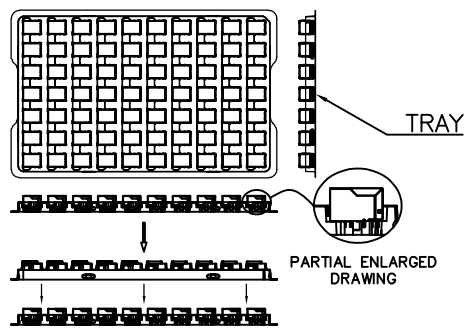
Operating and Storage Temperature:  
 Operating Temperature : -40°C to +85°C.  
 Storage Temperature : -40°C to +85°C.

Inspection Item QC	DIMENSION IN mm [Inch]		<b>ZhenDeng Electronics Co.,Ltd</b>		
	TOLERANCE UNLESS OTHERWISE SPECIFIED		TITLE		
	.X± 0.38	X.*± 2.0°	RJ45 1X1 10/100 /1000 BASE-T		
	.XX± 0.20	.X*± 1.0°	DRAWING NUMBER		
	.XXX± 0.10		21213081		
APPROVE	CHECK	DRAW	PROJ.	SHEET 2 OF 3	
		CLT 2024,05,10		SCALE 1:1	REV A

**RoHS Compliant**

Packing:

REV	MODIFICATION	DATE	DRAW	APPROVE



NOTES:

1. PRIMARY PACKING: 70PCS/TRAY
2. SECONDARY PACKING: 10TRAY/CARTON(700PCS/CARTON)
3. CARTON SIZE: 340x215x255mm

QC : Inspection Item	DIMENSION IN mm [Inch]		<b>ZhenDeng Electronics Co.,Ltd</b>		
	TOLERANCE UNLESS OTHERWISE SPECIFIED				
	.X± 0.38	X.*± 2.0°	RJ45 1X1 21&31- PACKING		
	.XX± 0.20	.X*± 1.0°	DRAWING NUMBER		
.XXX± 0.10		21&31- PACKING			
APPROVE	CHECK	DRAW	CLT	PROJ.	SHEET 3 OF 3
		2024,05,10	2024,05,10	SCALE 1:1	SIZE A3 REV A