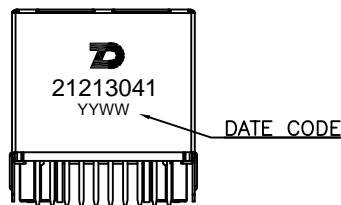
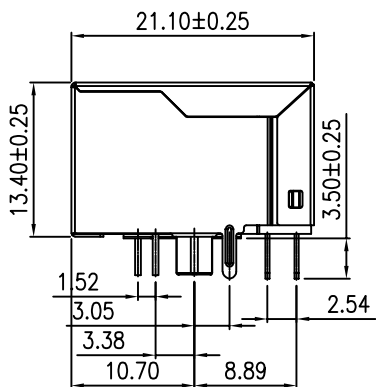
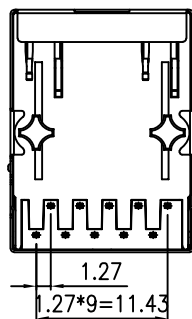
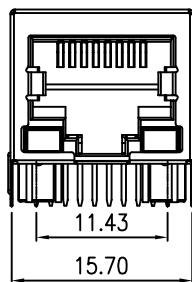
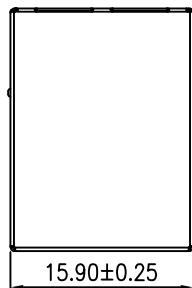


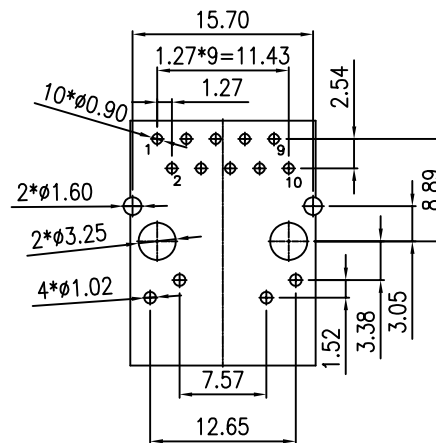
RoHS Compliant

Mechanical:



ConnectMaterial:

- 1.SHELL:COPPER ALLOY PLATING:30u”NICKEL MIN.
- 2.HOUSING AND INSERTER:PBT,UL94V-0,COLOR:BLACK.
- 3.RJ45 TERMINAL:PHOSPHOR BRONZE T=0.35mm
PLATING: 30u” NICKEL Min. UNDER PLATED
ALL OVER 100u” TIN Min. PLATED ALL OVER
6u”GOLD PLATED ON CONTACT AREA.
- 4.OHTERS TERMINAL:BRASS T=0.35mm
PLATING: 30u” NICKEL Min. UNDER PLATED
ALL OVER 100u” TIN Min. PLATED ALL OVER.



RECOMMENDED PCB LAYOUT
(COMPONENT SIDEVIEW)
ALL DIMENSION TOLERANCE ARE ±0.05mm

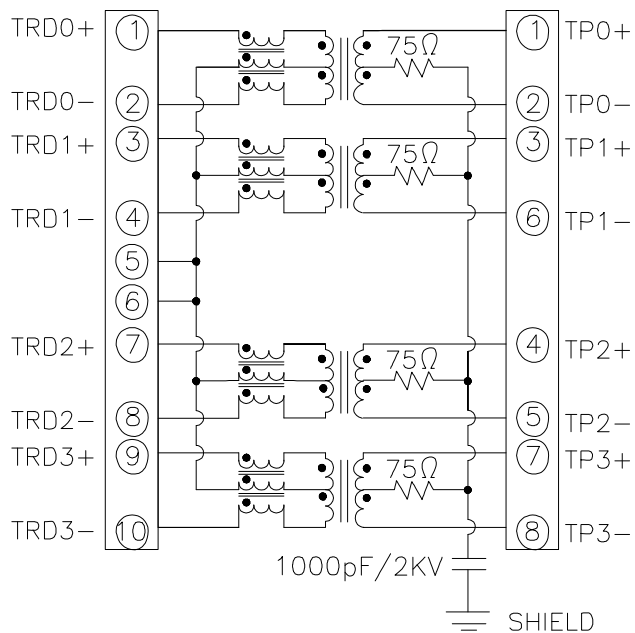
| REV | MODIFICATION | DATE | DRAW | APPROVE |
|-----|--------------|------|------|---------|
| | | | | |
| | | | | |

| | | | | | |
|--------------------|--------------------------------------|-------------------|-------------------------------------|--------------|-------|
| QC Inspection Item | DIMENSION IN mm [Inch] | | ZhenDeng Electronics Co.,Ltd | | |
| | TOLERANCE UNLESS OTHERWISE SPECIFIED | | TITLE | | |
| | .X± 0.38 | X.*± 2.0° | RJ45 1X1 10/100 /1000 BASE-T | | |
| | .XX± 0.20 | .X*± 1.0° | DRAWING NUMBER | | |
| .XXX± 0.10 | | 21213041 | | | |
| APPROVE | CHECK | DRAW | PROJ. | SHEET 1 OF 3 | |
| | | CLT 2024,05,10 | SCALE 1:1 | SIZE A3 | REV A |

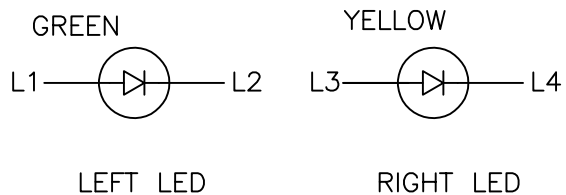
RoHS Compliant

Schematic:

PCB SIDE



CABLE SIDE



| | | | | |
|-----|--------------|------|------|---------|
| REV | MODIFICATION | DATE | DRAW | APPROVE |
| | | | | |
| | | | | |

| Electrical Specifications @25°C | | | | | | | | |
|---------------------------------|---------|--|----------------------|--------|--------|---------|----------------------|---------------|
| Turns Ratio (±2%) | | OCL (uH Min.) @100 KHz/0.1V with 8mA DC Bias | Cross talk (dB Min.) | | | | Hi-POT 1.0 mA (V) | |
| TX | RX | | 0.5-10 MHz | 30 MHz | 50 MHz | 100 MHz | WITHOUT RESISTOR | WITH RESISTOR |
| 1CT:1CT | 1CT:1CT | 350 | -50 | -40 | -35 | -30 | 1500 AC | 2250 DC |

| Continue | | | | | | | |
|--------------------------|---------------------------|--------------------------------------|-----------|--------|-----------|--------------------------|---------------|
| Insertion Loss (dB Max.) | | Return Loss (dB Min.) @ Load 100 OHM | | | | | CMR (dB Min.) |
| 1-100 MHz | 100-125 MHz (10/100/1000) | 1-30 MHz | 30-50 MHz | 60 MHz | 60-80 MHz | 80-100 MHz (10/100/1000) | 1-100 MHz |
| -1.0 | -1.2 | -18 | -16 | -14 | -12 | -10 | -30 |

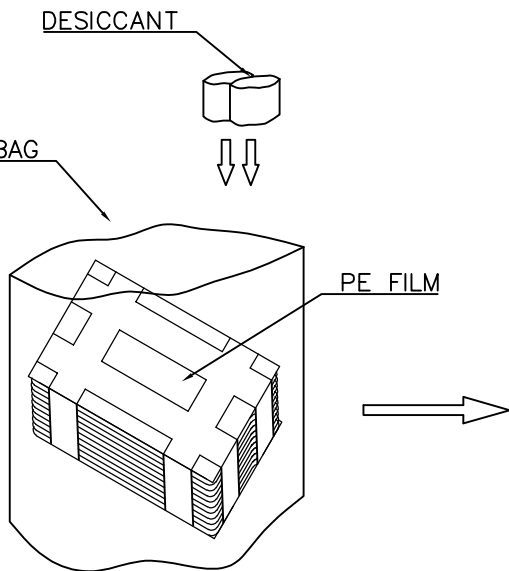
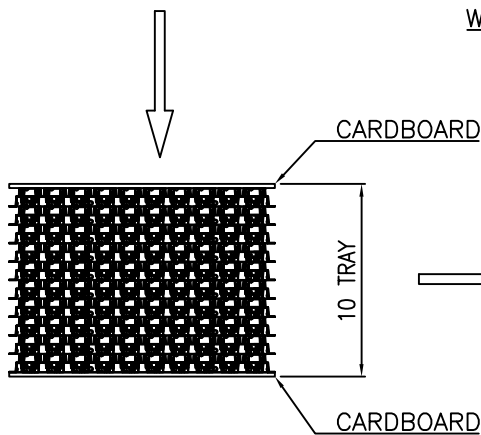
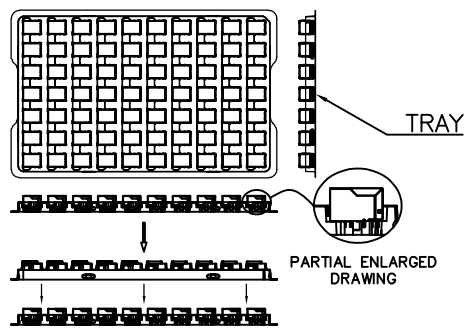
Operating and Storage Temperature:
 Operating Temperature : -40°C to +85°C.
 Storage Temperature : -40°C to +85°C.

| | | | | | |
|----------------------|--------------------------------------|-------------------|-------------------------------------|--------------|-------|
| QC : Inspection Item | DIMENSION IN mm [Inch] | | ZhenDeng Electronics Co.,Ltd | | |
| | TOLERANCE UNLESS OTHERWISE SPECIFIED | | TITLE | | |
| | .X± 0.38 | X.*± 2.0° | RJ45 1X1 10/100 /1000 BASE-T | | |
| | .XX± 0.20 | .X*± 1.0° | DRAWING NUMBER | | |
| .XXX± 0.10 | | 21213041 | | | |
| APPROVE | CHECK | DRAW | PROJ. | SHEET 2 OF 3 | |
| | | CLT 2024,05,10 | SCALE 1:1 | SIZE A3 | REV A |

RoHS Compliant

Packing:

| REV | MODIFICATION | DATE | DRAW | APPROVE |
|-----|--------------|------|------|---------|
| | | | | |
| | | | | |



NOTES:

1. PRIMARY PACKING: 70PCS/TRAY
2. SECONDARY PACKING: 10TRAY/CARTON(700PCS/CARTON)
3. CARTON SIZE: 340x215x255mm

| Inspection Item | DIMENSION IN mm [Inch] | | ZhenDeng Electronics Co.,Ltd | | |
|-----------------|--------------------------------------|----------------|------------------------------|-----------|---------------|
| | TOLERANCE UNLESS OTHERWISE SPECIFIED | | TITLE | | |
| | .X± 0.38 | X.*± 2.0* | RJ45 1X1 21&31- PACKING | | |
| | .XX± 0.20 | .X*± 1.0* | DRAWING NUMBER | | |
| .XXX± 0.10 | | 21&31- PACKING | | | |
| APPROVE | CHECK | DRAW | CLT | PROJ. | SHEET 3 OF 3 |
| | | 2024,05,10 | 2024,05,10 | SCALE 1:1 | SIZE A3 REV A |