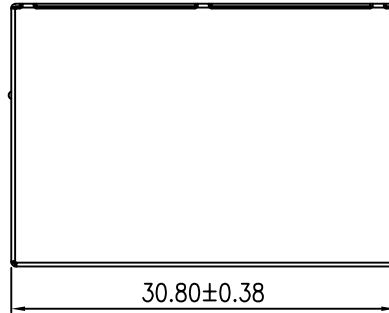


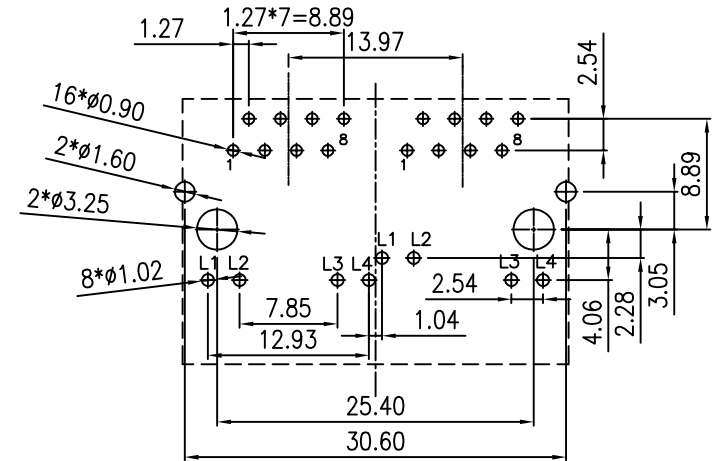
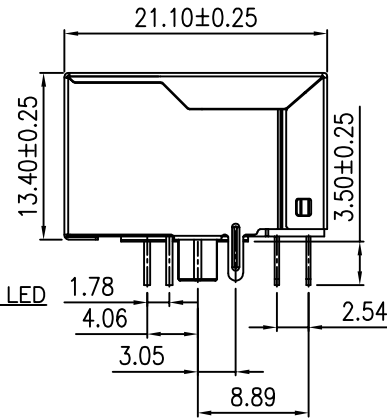
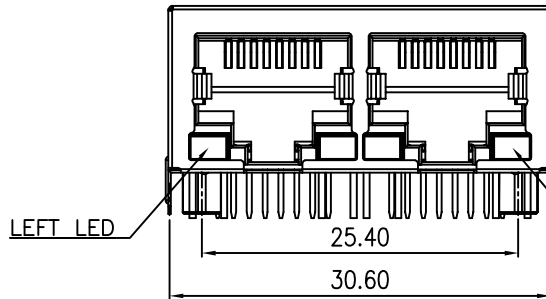
RoHS Compliant

Mechanical:

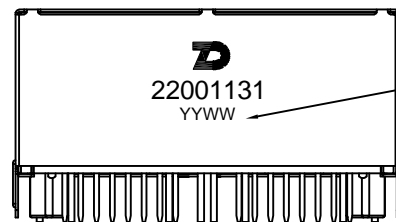
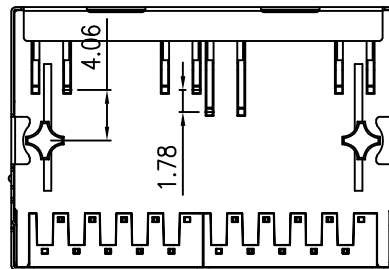
REV	MODIFICATION	DATE	DRAW	APPROVE



Connect Material:
 Housing : Thermoplastic,PBT,UL 94V-0,Black
 Insert : Thermoplastic,PBT,UL 94V-0,Black
 Contact/Shield : Copper alloy
 Shield Plating : Nickel
 Contact Plating: Selective gold 6u" Min



RECOMMENDED PCB LAYOUT
 (COMPONENT SIDEVIEW)
 ALL DIMENSION TOLERANCE ARE ±0.05mm

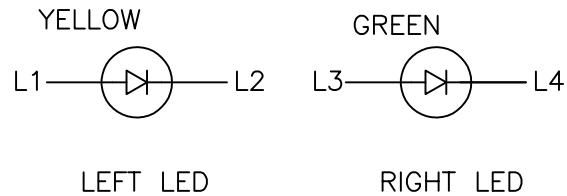
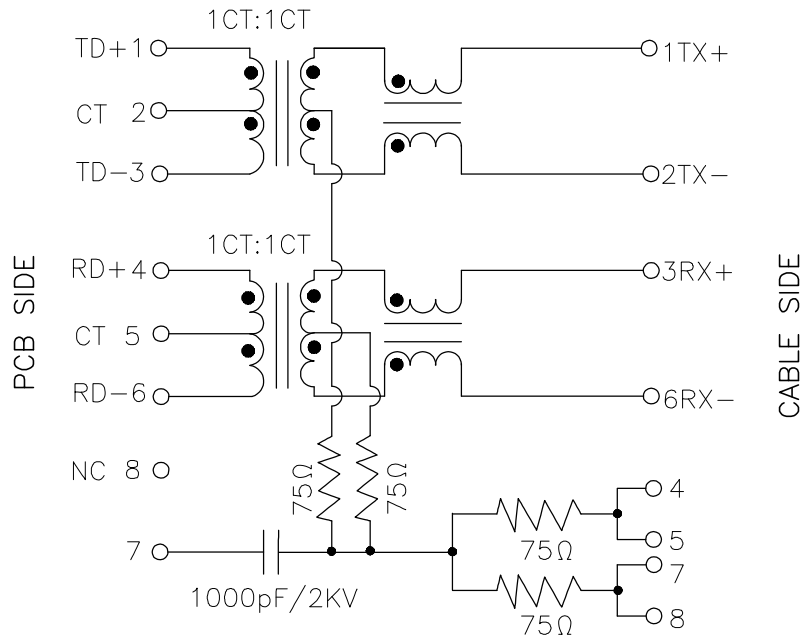


DATE CODE

QC Inspection Item	DIMENSION IN mm [Inch]		ZhenDeng Electronics Co.,Ltd		
	TOLERANCE UNLESS OTHERWISE SPECIFIED		TITLE		
	.X± 0.38	X.*± 2.0°	RJ45 1X2 10/100 BASE-T		
	.XX± 0.20	.X*± 1.0°	DRAWING NUMBER		
.XXX± 0.10		22001131			
APPROVE	CHECK	DRAW	PROJ.	SHEET 1 OF 3	
		KONGLEI 2024,07,30		REV A	
			SCALE 1:1	SIZE A4	

RoHS Compliant

Schematic:



REV	MODIFICATION	DATE	DRAW	APPROVE

Electrical Specifications @25°C								
Turns Ratio (±2%)		OCL (uH Min.) @100 KHz/0.1V with 8mA DC Bias	Cross talk (dB Min.)				Hi-POT 1.0 mA (V)	
TX	RX		0.5-10 MHz	30 MHz	50 MHz	100 MHz	WITHOUT RESISTOR	WITH RESISTOR
1CT:1CT	1CT:1CT	350	-50	-40	-35	-30	1500 AC	2250 DC

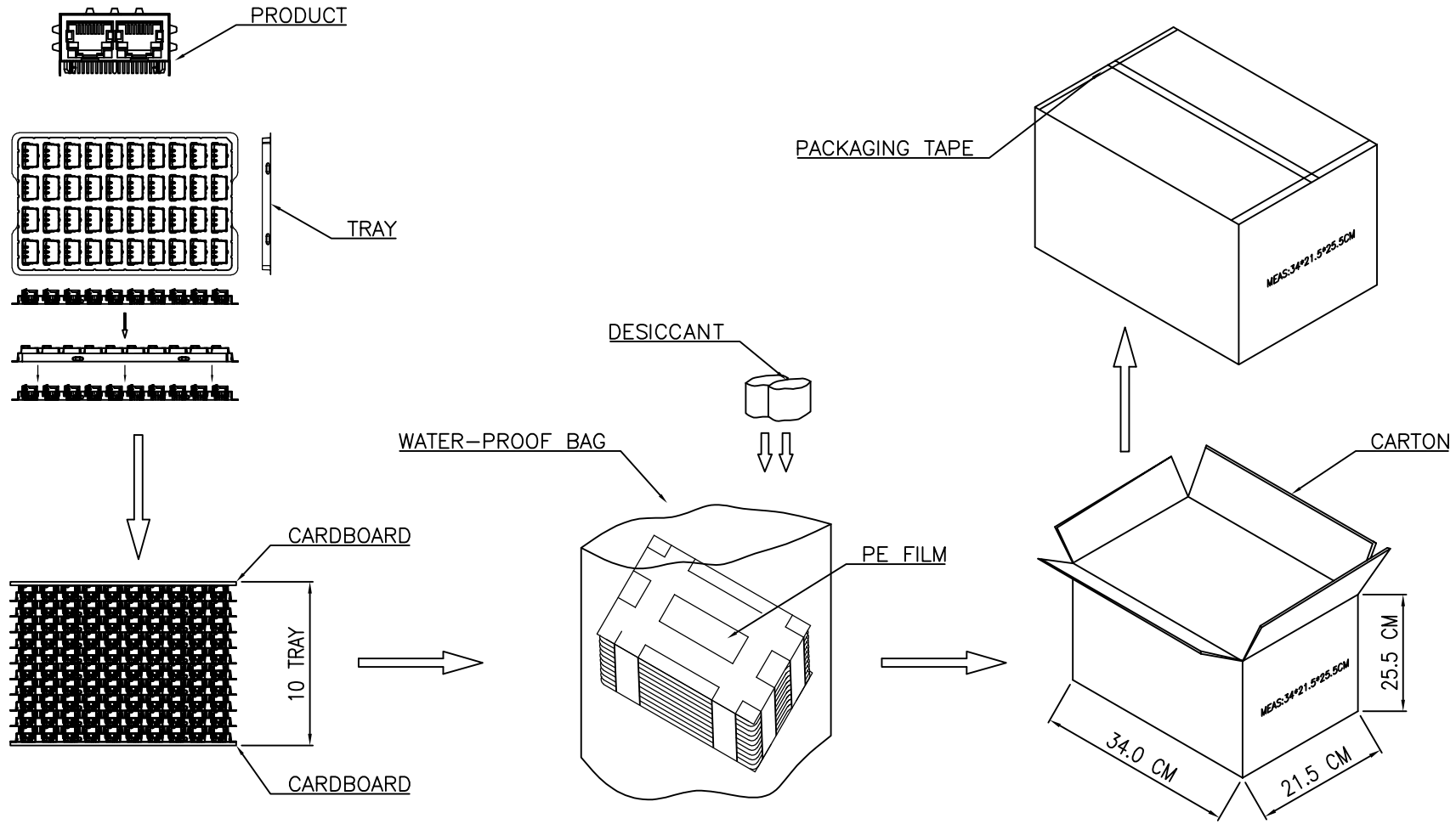
Continue							
Insertion Loss (dB Max.)		Return Loss (dB Min.) @ Load 100 OHM					CMR (dB Min.)
1-100 MHz	100-125 MHz (10/100/1000)	1-30 MHz	30-50 MHz	60 MHz	60-80 MHz	80-100 MHz (10/100/1000)	1-100 MHz
-1.0	-1.2	-18	-16	-14	-12	-10	-30

Operating and Storage Temperature:
 Operating Temperature : 0°C to +70°C.
 Storage Temperature : -40°C to +85°C.

QC Inspection Item	DIMENSION IN mm [Inch]		ZhenDeng Electronics Co.,Ltd		
	TOLERANCE UNLESS OTHERWISE SPECIFIED		TITLE		
	.X± 0.38	X.*± 2.0°	RJ45 1X2 10/100 BASE-T		
	.XX± 0.20	.X*± 1.0°	DRAWING NUMBER		
.XXX± 0.10		22001131			
APPROVE	CHECK	DRAW	PROJ.	SHEET 2 OF 3	
		KONGLEI 2024,07,30	SCALE 1:1	SIZE A4	REV A

RoHS Compliant

REV	MODIFICATION	DATE	DRAW	APPROVE



NOTES:

1. PRIMARY PACKING: 40PCS/TRAY
2. SECONDARY PACKING: 10TRAY/CARTON(400PCS/CARTON)
3. CARTON SIZE: 340x215x255mm

Inspection Item	DIMENSION IN mm [Inch]		ZhenDeng Electronics Co.,Ltd		
	TOLERANCE UNLESS OTHERWISE SPECIFIED		TITLE		
	.X± 0.38	X.*± 2.0°	22&32 1X2 PACKING		
	.XX± 0.20	.X*± 1.0°	DRAWING NUMBER		
.XXX± 0.10		22&32 1X2 PACKING			
APPROVE	CHECK	DRAW	PROJ.	SHEET 1 OF 1	
		KONGLEI 2024,07,30			
			SCALE 5:3	SIZE A4	REV B