

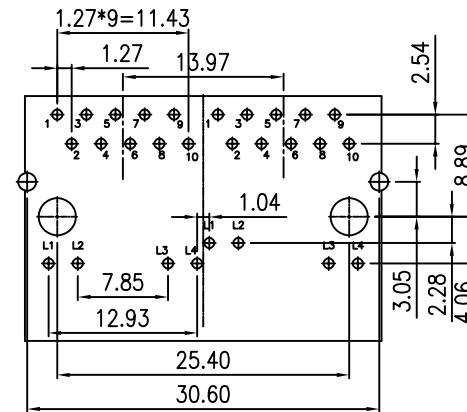
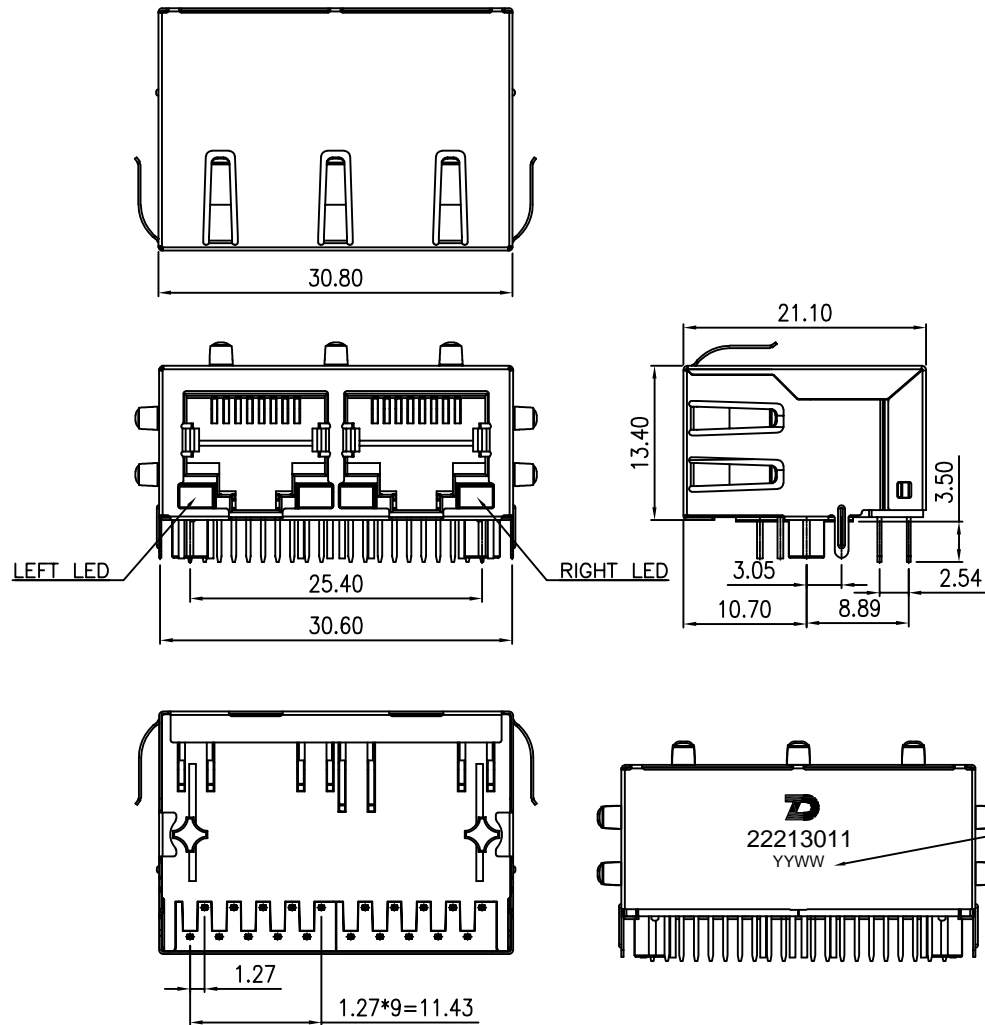
RoHS Compliant

Mechanical:

REV	MODIFICATION	DATE	DRAW	APPROVE

ConnectMaterial:

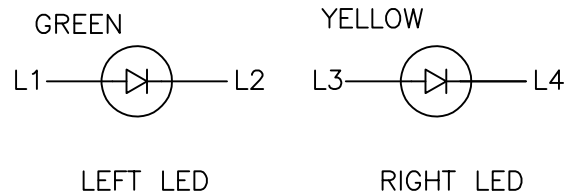
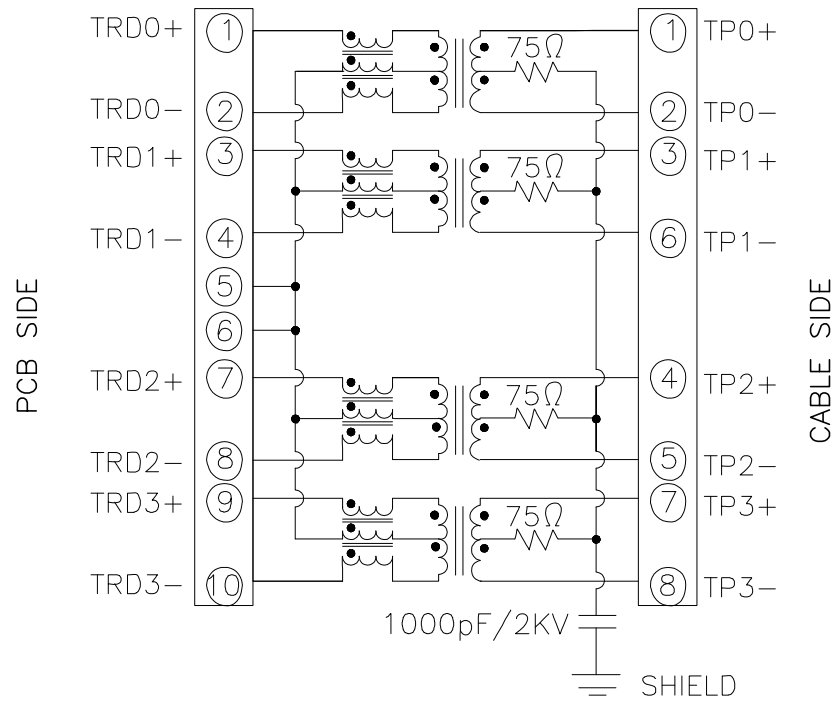
- 1.SHELL:COPPER ALLOY PLATING:30u”NICKEL MIN.
- 2.HOUSING AND INSERTER:PBT,UL94V-0,COLOR:BLACK.
- 3.RJ45 TERMINAL:PHOSPHOR BRONZE T=0.35mm
PLATING: 30u” NICKEL Min. UNDER PLATED
ALL OVER 100u” TIN Min. PLATED ALL OVER
6u”GOLD PLATED ON CONTACT AREA.
- 4.OHTERS TERMINAL:BRASS T=0.35mm
PLATING: 30u” NICKEL Min. UNDER PLATED
ALL OVER 100u” TIN Min. PLATED ALL OVER.



Inspection Item QC	DIMENSION IN mm [Inch]		ZhenDeng Electronics Co.,Ltd	
	TOLERANCE UNLESS OTHERWISE SPECIFIED		TITLE	
	.X± 0.38	X.*± 2.0°	RJ45 1X2 10/100/1000 BASE-T	
	.XX± 0.20	.X*± 1.0°	DRAWING NUMBER	
.XXX± 0.10		22213011		
APPROVE	CHECK	DRAW	PROJ.	SHEET 1 OF 2
		CLT 2024,07,30	SCALE 3:1	SIZE A4
				REV A

RoHS Compliant

Schematic:



REV	MODIFICATION	DATE	DRAW	APPROVE

Electrical Specifications @25°C								
Turns Ratio (±2%)		OCL (uH Min.) @100 KHz/0.1V with 8mA DC Bias	Cross talk (dB Min.)				Hi-POT 1.0 mA (V)	
TX	RX		0.5-10 MHz	30 MHz	50 MHz	100 MHz	WITHOUT RESISTOR	WITH RESISTOR
1CT:1CT	1CT:1CT	350	-50	-40	-35	-30	1500 AC	2250 DC

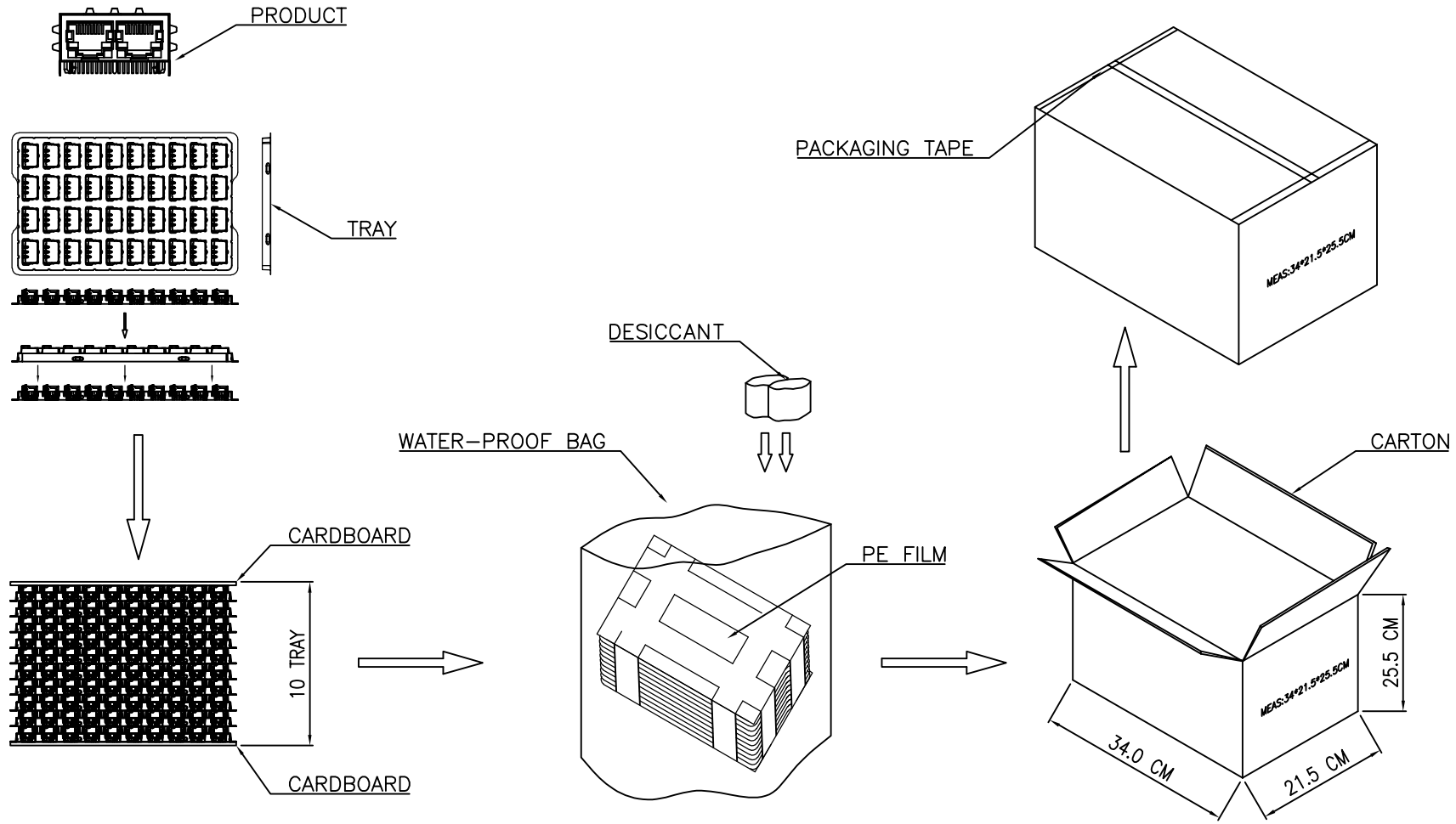
Continue							
Insertion Loss (dB Max.)		Return Loss (dB Min.) @ Load 100 OHM					CMR (dB Min.)
1-100 MHz	100-125 MHz (10/100/1000)	1-30 MHz	30-50 MHz	60 MHz	60-80 MHz	80-100 MHz (10/100/1000)	1-100 MHz
-1.0	-1.2	-18	-16	-14	-12	-10	-30

Operating and Storage Temperature:
 Operating Temperature : 0°C to +70°C.
 Storage Temperature : -40°C to +85°C.

QC : Inspection Item	DIMENSION IN mm [Inch]		ZhenDeng Electronics Co.,Ltd		
	TOLERANCE UNLESS OTHERWISE SPECIFIED		TITLE		
	.X± 0.38	X.*± 2.0°	RJ45 1X2 10/100/1000 BASE-T		
	.XX± 0.20	.X*± 1.0°	DRAWING NUMBER		
.XXX± 0.10		22213011			
APPROVE	CHECK	DRAW	PROJ.	SHEET 2 OF 3	
		CLT 2024,07,30	SCALE 1:1	SIZE A4	REV A

RoHS Compliant

REV	MODIFICATION	DATE	DRAW	APPROVE



NOTES:

1. PRIMARY PACKING: 40PCS/TRAY
2. SECONDARY PACKING: 10TRAY/CARTON(400PCS/CARTON)
3. CARTON SIZE: 340x215x255mm

QC Inspection Item	DIMENSION IN mm [Inch]		ZhenDeng Electronics Co.,Ltd		
	TOLERANCE UNLESS OTHERWISE SPECIFIED		TITLE		
	.X± 0.38	X.*± 2.0°	22&32 1X2 PACKING		
	.XX± 0.20	.X*± 1.0°	DRAWING NUMBER		
.XXX± 0.10		22&32 1X2 PACKING			
APPROVE	CHECK	DRAW	PROJ.	SHEET 1 OF 1	
		CLT 2024,07,30	CLT 2024,07,30	SCALE 5:3	SIZE A4
				REV B	