

RoHS Compliant

REV	MODIFICATION	DATE	DRAW	APPROVE
B	修正PIN脚标示	2024-08-10	KONGLEI	COREYTU

Mechanical:

Notes:

CONNECTOR MATERIAL:

HOUSING: PA66 BLACK UL94 V-0

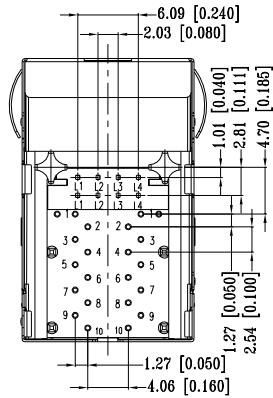
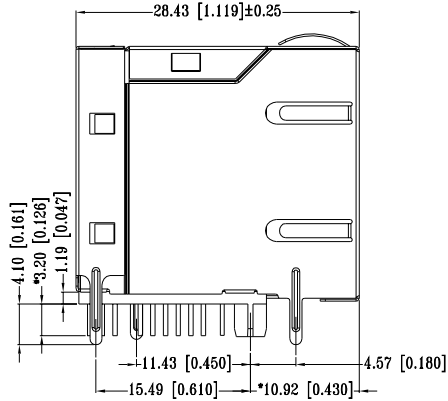
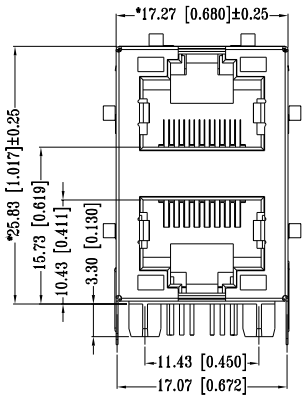
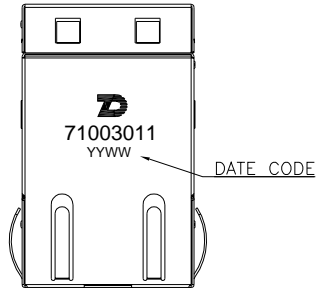
INSERT: PBT BLACK UL94 V-0

SHIELD: Brass

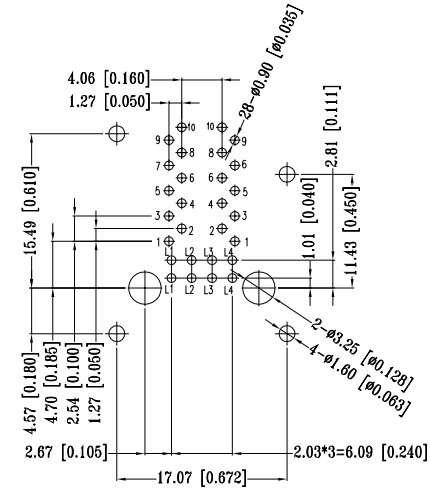
SHIELD PLATING: NICKEL

CONTACT: COPPER ALLOY

CONTACT PLATING: SELECTIVE GOLD, 6 MICRO-INCHS MIN IN CONTACT



B



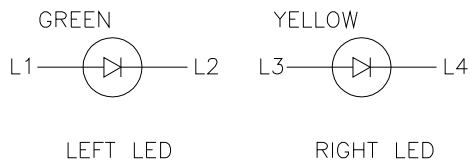
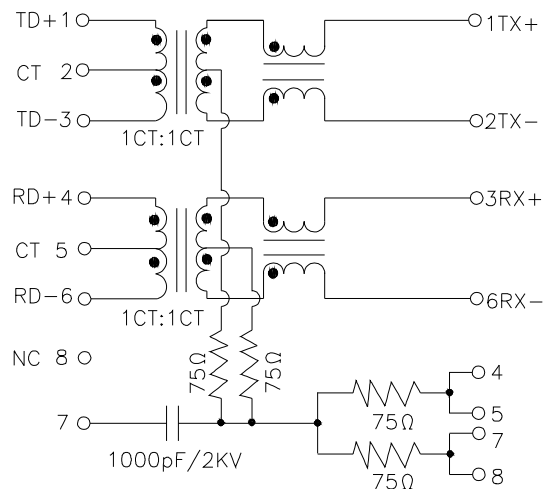
Suggested PCB Layout(Top View)
(Tolerance:±0.05)

QC : Inspection Item	DIMENSION IN mm [Inch]		ZhenDeng Electronics Co.,Ltd		
	TOLERANCE UNLESS OTHERWISE SPECIFIED				
	.X± 0.38	X.*± 2.0*	RJ45 2X1 10/100 Base-T		
	.XX± 0.20	.X*± 1.0*	DRAWING NUMBER		
.XXX± 0.10		71003011			
APPROVE	CHECK	DRAW	PROJ.	SHEET 1 OF 3	
		CLT 2024.05.10	SCALE 1:1	REV B	
			SIZE A3		

RoHS Compliant

Schematic:

PCB SIDE



CABLE SIDE

REV	MODIFICATION	DATE	DRAW	APPROVE
B	修正PIN脚标示	2024-08-10	KONGLEI	COREYTU

PART NO.	Electrical Specifications @25°C								
Part Number	Turns Ratio (±2%)		OCL (uH Min.) @100 KHz/0.1V with 8mA DC Bias	Cross talk (dB Min.)				Hi-POT 1.0 mA (V)	
	TX	RX		0.5-10 MHz	30 MHz	50 MHz	100 MHz	WITHOUT RESISTOR	WITH RESISTOR
721G69J1HA1	1CT:1CT	1CT:1CT	350	-50	-40	-35	-30	1500 AC	2250 DC

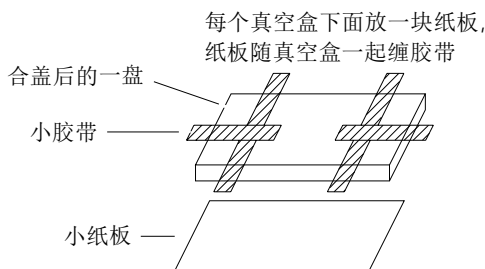
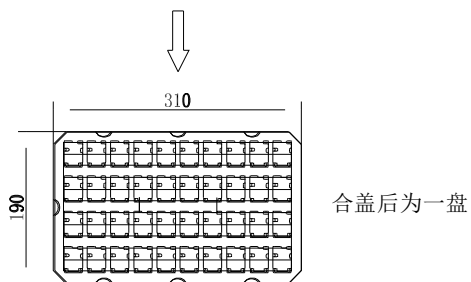
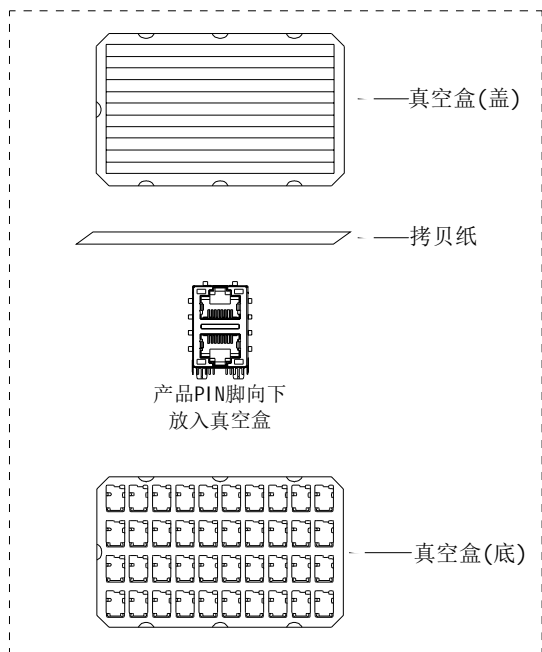
PART NO.	Continue							
Part Number	Insertion Loss (dB Max.)		Return Loss (dB Min.) @ Load 100 OHM					CMR (dB Min.)
	1-100 MHz	100-125 MHz (10/100/1000)	1-30 MHz	30-50 MHz	60 MHz	60-80 MHz	80-100 MHz (10/100/1000)	1-100 MHz
721G69J1HA1	-1.0	-1.2	-18	-16	-14	-12	-10	-30

Operating and Storage Temperature:
 Operating Temperature : 0°C to +70°C.
 Storage Temperature : -40°C to +85°C.

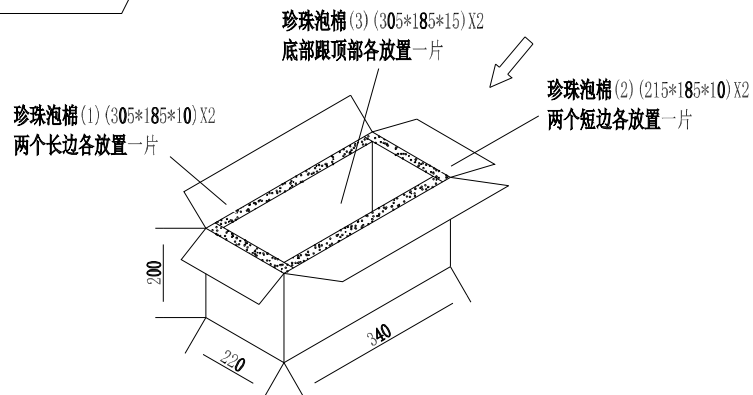
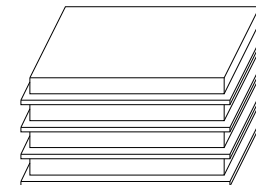
QC : Inspection Item	DIMENSION IN mm [Inch]		ZhenDeng Electronics Co.,Ltd		
	TOLERANCE UNLESS OTHERWISE SPECIFIED		TITLE		
	.X± 0.38	X.*± 2.0*	RJ45 2X1 10/100 Base-T		
	.XX± 0.20	.X*± 1.0*	DRAWING NUMBER		
.XXX± 0.10		71003011			
APPROVE	CHECK	DRAW	PROJ.	SHEET 2 OF 3	
		CLT 2024,04,09	SCALE 1:1	SIZE A3	
			REV B		

RoHS Compliant

Packing:



4盘一列



NOTES:

1. PRIMARY PACKING: 40PCS/TRAY
2. SECONDARY PACKING: 4TRAY/CARTON(160PCS/CARTON)
3. CARTON SIZE: 340x220x200mm

REV	MODIFICATION	DATE	DRAW	APPROVE
B	修正PIN脚标示	2024-08-10	KONGLEI	COREYTU

QC : inspection item	DIMENSION IN mm [Inch]		ZhenDeng Electronics Co.,Ltd	
	TOLERANCE UNLESS OTHERWISE SPECIFIED		TITLE	
	.X± 0.38	X.*± 2.0°	RJ45 2X1 10/100 Base-T	
	.XX± 0.20	.X*± 1.0°	DRAWING NUMBER	
.XXX± 0.10		71003011		
APPROVE	CHECK	DRAW	PROJ.	SHEET 3 OF 3
		CLT 2024,04,09	SCALE 1:1	SIZE A3
			REV B	