

RoHS Compliant

Mechanical:

REV	MODIFICATION	DATE	DRAW	APPROVE

Connect Material:

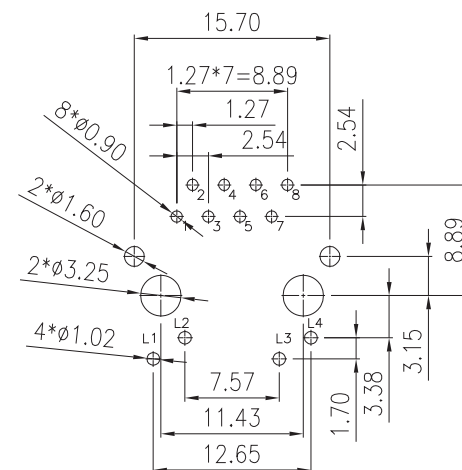
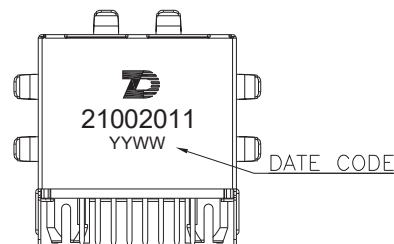
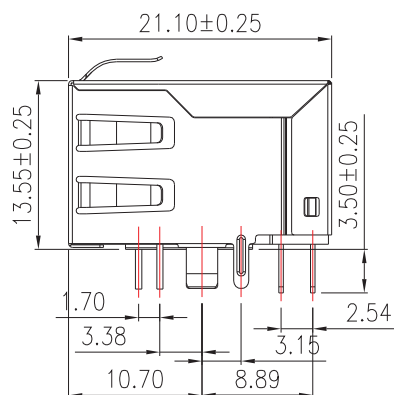
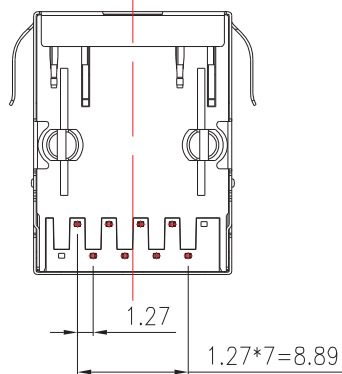
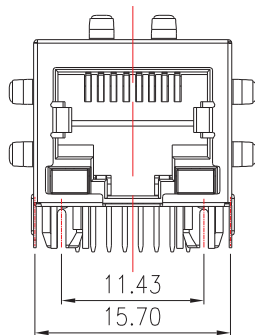
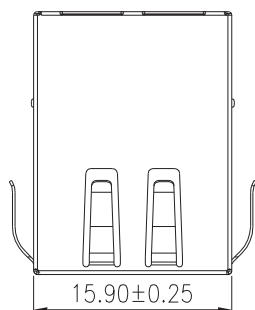
Housing : Thermoplastic,PBT,UL 94V-0,Black

Insert : Thermoplastic,PBT,UL 94V-0,Black

Contact/Shield : Copper alloy

Shield Plating : Nickel

Contact Plating: Selective gold 15u" Min

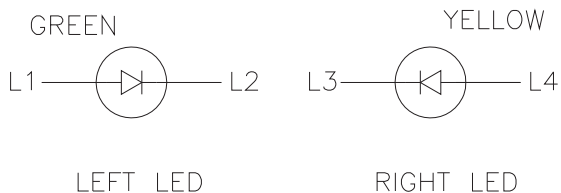
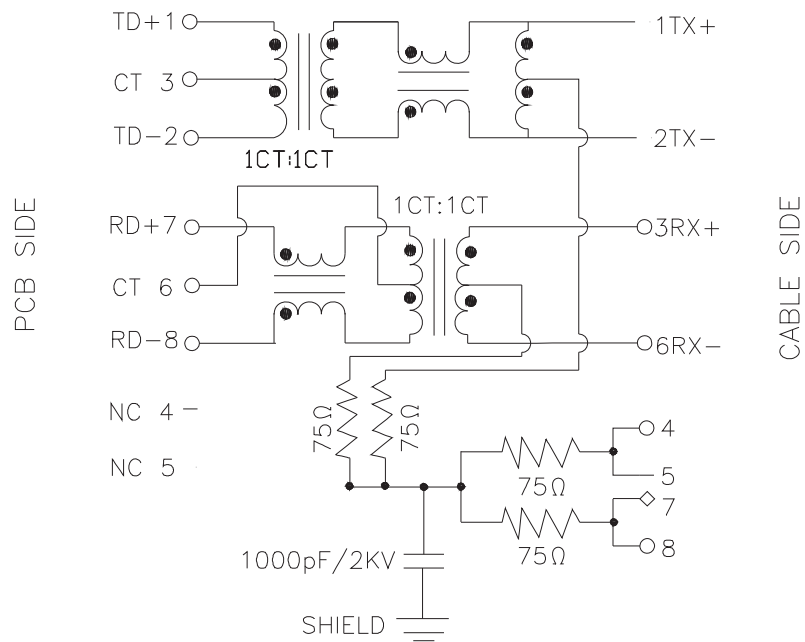


RECOMMENDED PCB LAYOUT
(COMPONENT SIDEVIEW)
ALL DIMENSION TOLERANCE ARE ±0.05mm

QC : Inspection Item	DIMENSION IN mm [Inch]		Jiechen Electronics Co.,Ltd	
	TOLERANCE UNLESS OTHERWISE SPECIFIED		TITLE	
	.X± 0.38	X.*± 2.0°	RJ45 1X1 10/100 BASE-T	
	.XX± 0.20	.X*± 1.0°	DRAWING NUMBER	
	.XXX± 0.10		21002011	
APPROVE	CHECK	DRAW	PROJ.	SHEET 1 OF 3
		CLT 2024,05,10	SCALE 1:1	REV A
			SIZE A3	

RoHS Compliant

Schematic:



REV	MODIFICATION	DATE	DRAW	APPROVE

Electrical Specifications @25°C								
Turns Ratio (±2%)		OCL (uH Min.) @100 KHz/0.1V with 8mA DC Bias	Cross talk (dB Min.)				Hi-POT 1.0 mA (V)	
TX	RX		0.5-10 MHz	30 MHz	60 MHz	100 MHz	WITHOUT RESISTOR	WITH RESISTOR
1CT:1CT	1CT:1CT	350	-50	-40	-35	-30	1500 AC	2250 DC

Continue							
Insertion Loss (dB Max.)		Return Loss (dB Min.) @ Load 100 OHM					CMR (dB Min.)
1-100 MHz	100-125 MHz (10/100/1000)	1-30 MHz	30-50 MHz	60 MHz	60-80 MHz	80-100 MHz (10/100/1000)	1-100 MHz
-1.0	-1.2	-18	-16	-14	-12	-10	-30

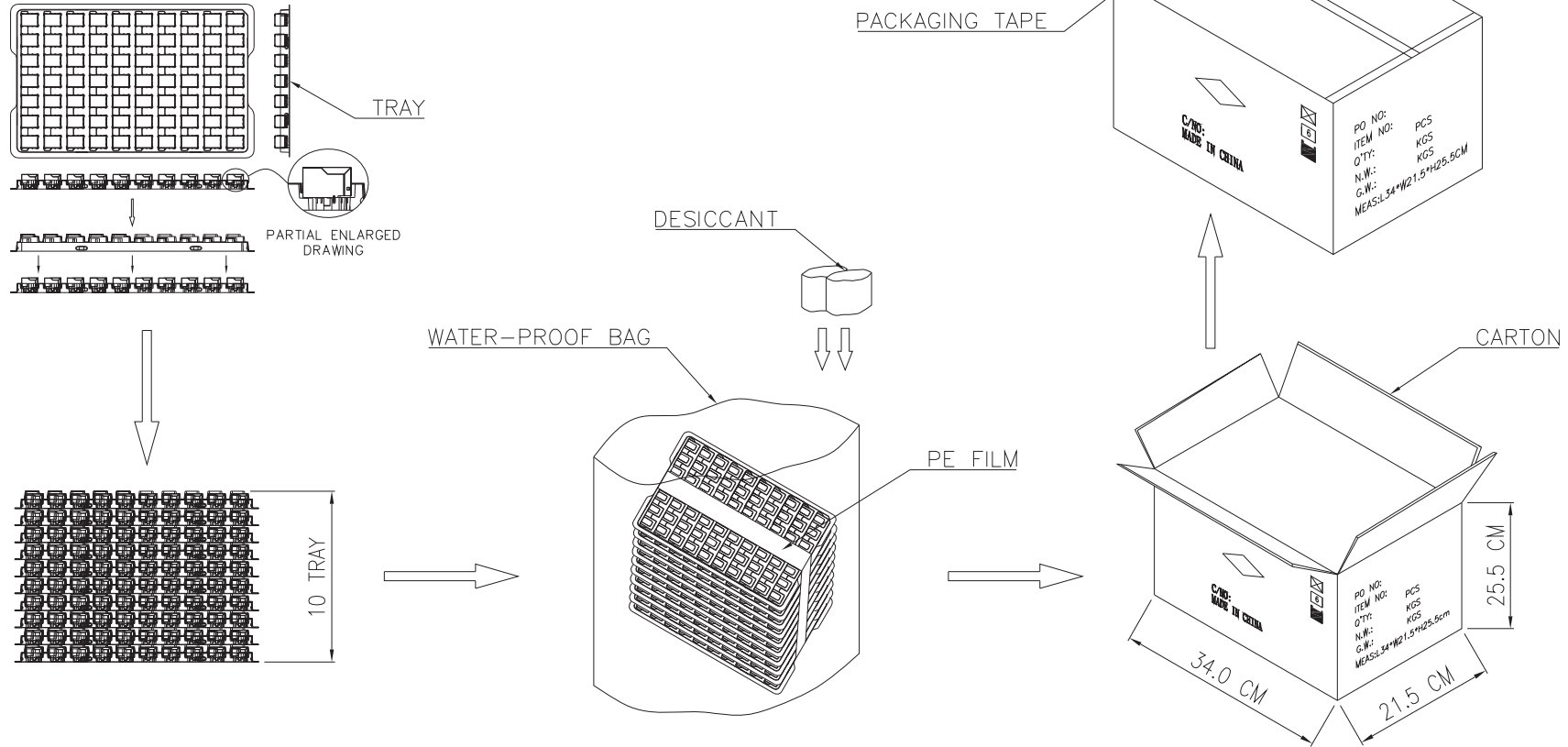
Operating and Storage Temperature:
 Operating Temperature : 0°C to +70°C.
 Storage Temperature : -40°C to +85°C.

QC : Inspection Item	DIMENSION IN mm [Inch]		Jiechen Electronics Co.,Ltd		
	TOLERANCE UNLESS OTHERWISE SPECIFIED		TITLE		
	.X ± 0.38	X.* ± 2.0°	RJ45 1X1 10/100 BASE-T		
	.XX ± 0.20	.X.* ± 1.0°	DRAWING NUMBER		
	.XXX ± 0.10		21002011		
APPROVE	CHECK	DRAW	PROJ.	SHEET 2 OF 3	
		CLT 2024,05,10	SCALE 1:1	SIZE A3	
			REV A		

RoHS Compliant

REV	MODIFICATION	DATE	DRAW	APPROVE

Packing:



NOTES:

1. PRIMARY PACKING: 70PCS/TRAY
2. SECONDARY PACKING: 10TRAY/CARTON(700PCS/CARTON)
3. CARTON SIZE: 340x215x255mm

QC : inspection Item	DIMENSION IN mm [Inch]		Jiechen Electronics Co.,Ltd		
	TOLERANCE UNLESS OTHERWISE SPECIFIED				
	.X ± 0.38	X.* ± 2.0*	RJ45 1X1 10/100 BASE-T		
	.XX ± 0.20	.X* ± 1.0*	DRAWING NUMBER		
.XXX ± 0.10		21002011			
APPROVE	CHECK	DRAW	PROJ.	SHEET 3 OF 3	
		CLT 2024,05,10	SCALE 1:1	SIZE A3	REV A